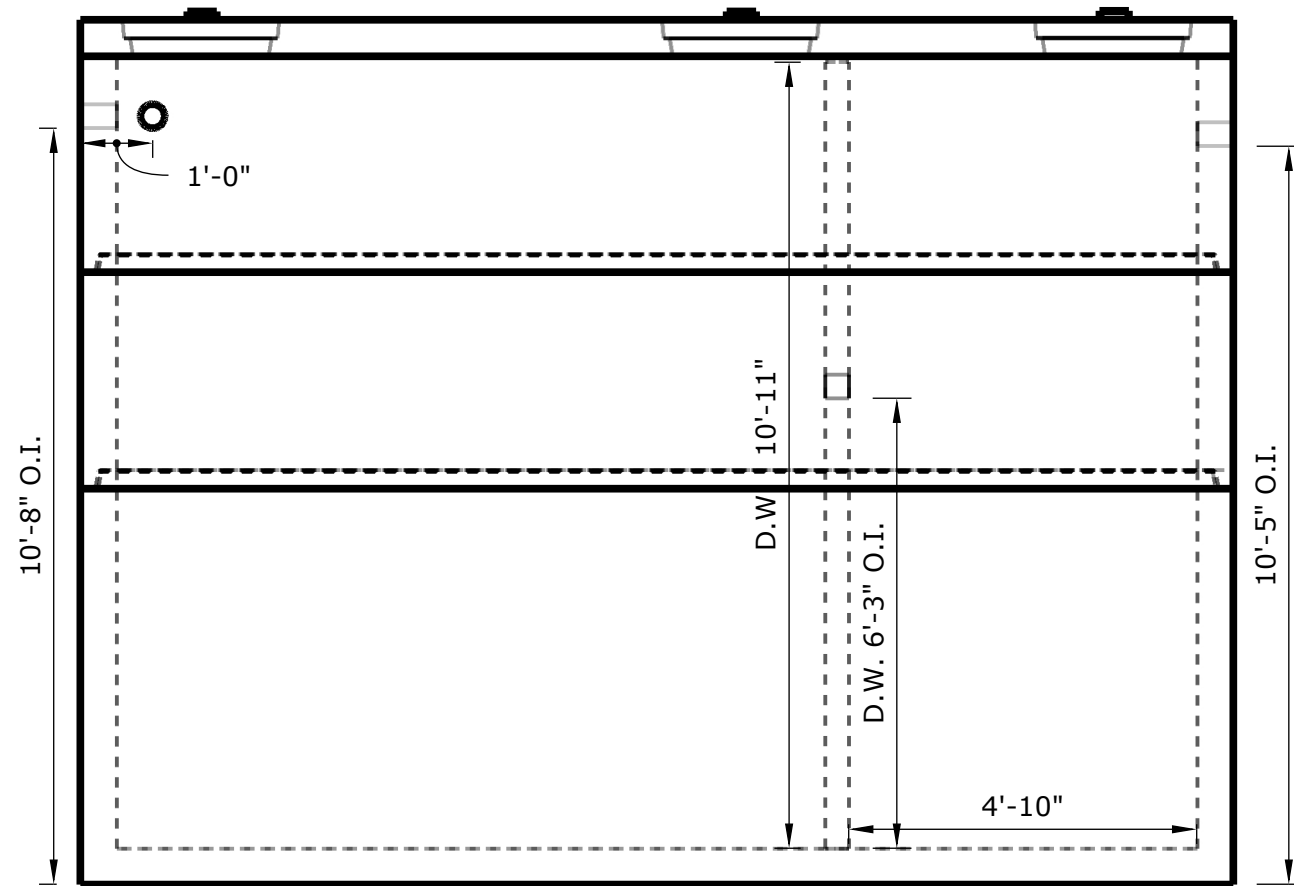


# 10,000 Gallon Septic Tank

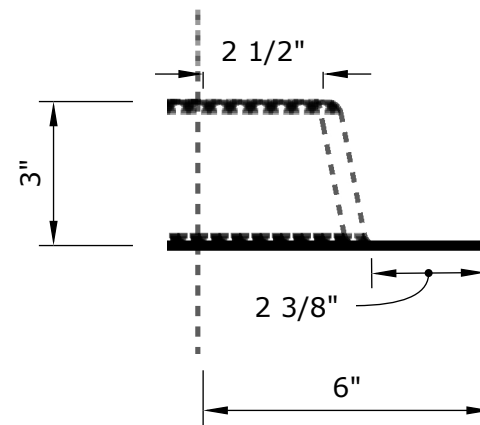


M-1 Tanks Precast  
 13058 N Frontage Rd E  
 Moses Lake Wa  
 98837  
 509-766-2914

**SIDE VIEW**  
 Scale 1:32



**Pallet and Header Joint Detail**  
 Scale NTS



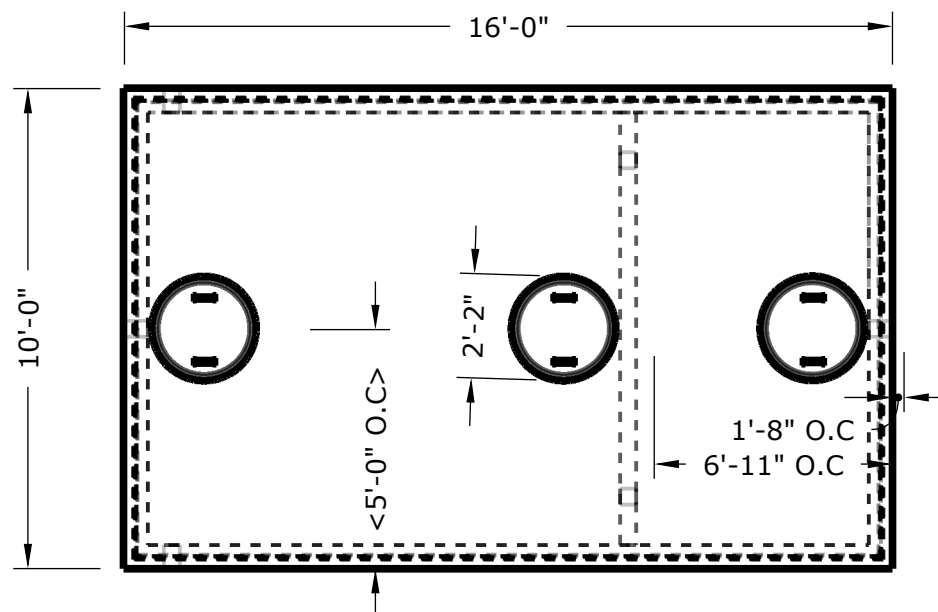
**Notes:**

- Concrete Strength 5000 PSI min. at 28day
- Joints to be primed and sealed with Conseal CS-102 butyl rubber sealant
- Inlets/outlets to be cast with Press Seal cast-a-seal 402 watertight flexible connector
- Structure shall meet or exceed ASTM standards

**Details:**

- 16'-0"(L) x 10'-0"(W) x 11'-6"(H) + 6" Lid
- 6" Walls, 6" Floor
- Divider Wall: Height - 10'-11" (1" below lid)  
 D.W Holes 6'-3" O.I. from floor  
 1'-0" O.C. from inner wall
- Weight- Monolithic - 30,360 lbs  
 Section 1 - 11,040 lbs  
 Section 2 - 10,600 lbs  
 Divider Wall - 4,840 lbs  
 Lid - 11,840 lbs  
 Total - 68,680 lbs

**PLAN VIEW**  
 Scale 1:48



**END VIEW**  
 Scale 1:32

