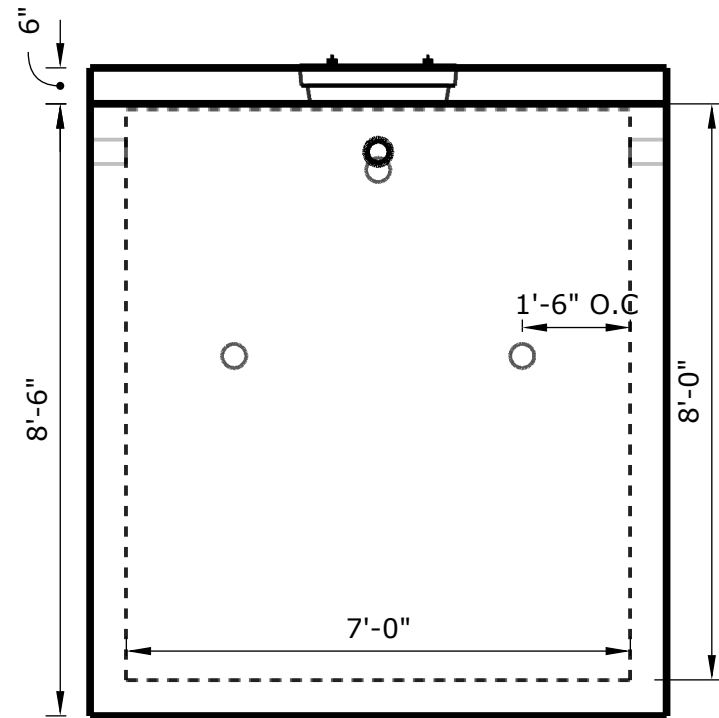
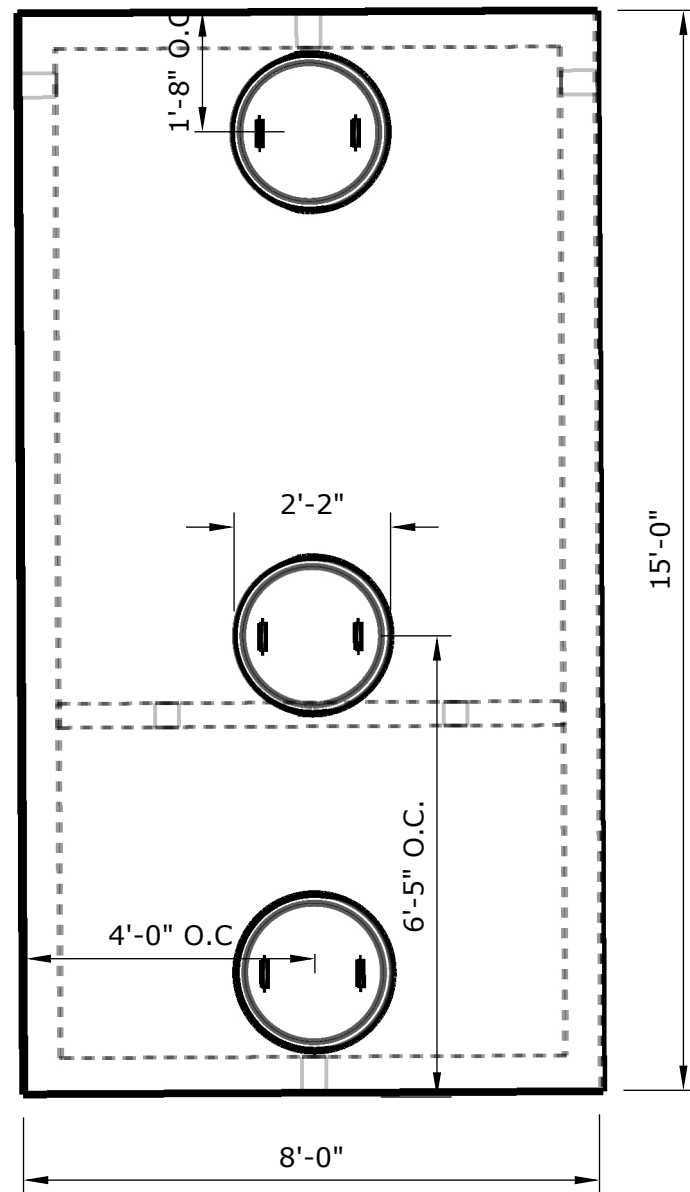


5000 Gallon Septic Tank

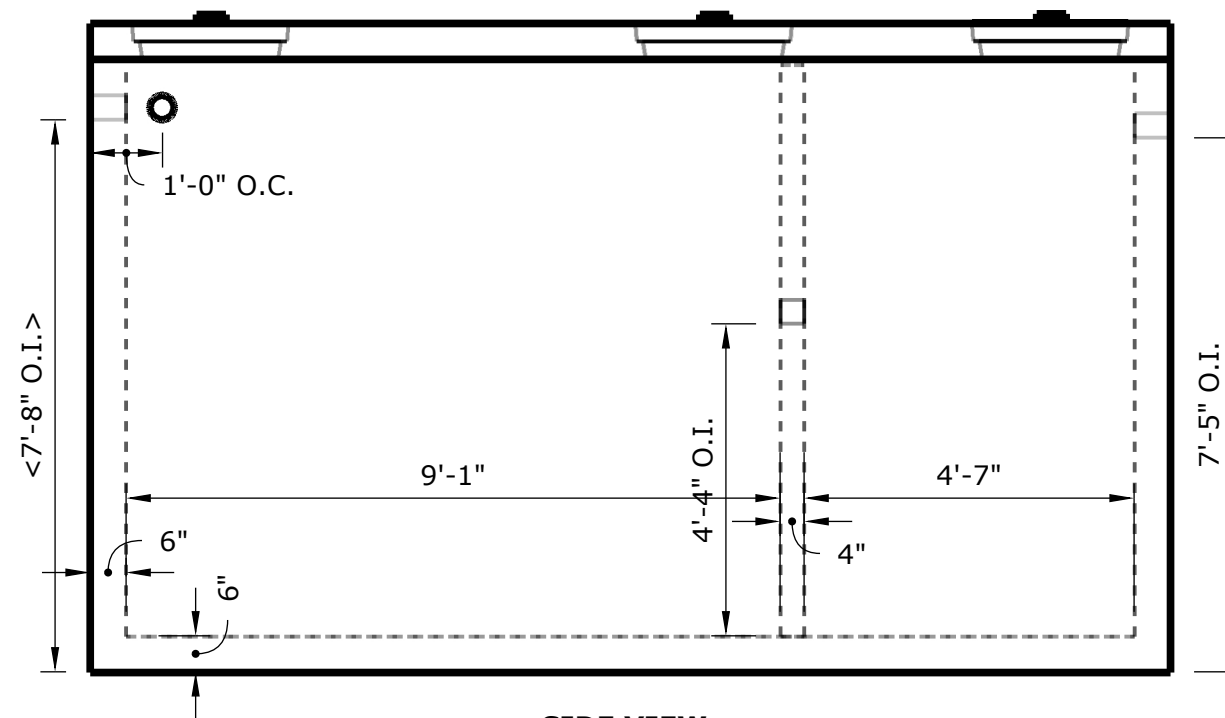


M-1 Tanks Precast
 13058 N Frontage Rd E
 Moses Lake Wa
 98837
 509-766-2914

PLAN VIEW
 Scale 1:32



END VIEW
 Scale 1:32



SIDE VIEW
 Scale 1:32

Notes:
 -Concrete Strength 5000 PSI min. at 28day
 -Joints to be primed and sealed with Conseal CS-102 butyl rubber sealant
 -Inlets/outlets to be cast with Press Seal cast-a-seal 402 watertight flexible connector
 -Structure shall meet or exceed ASTM standards

Details:
 -15'-0"(L) x 8'-0"(W) x 8'-6" (H) + 6" Lid
 -6" Walls, 6" Floor
 Divider Wall Holes - 4'-4" O.I from floor
 1'-6" O.C. from inner wall
 Weight - Tank - 34,920 lbs
 Divider Wall - 2,720 lbs
 Lid - 8,880 lbs
 Total - 46,520 lbs

