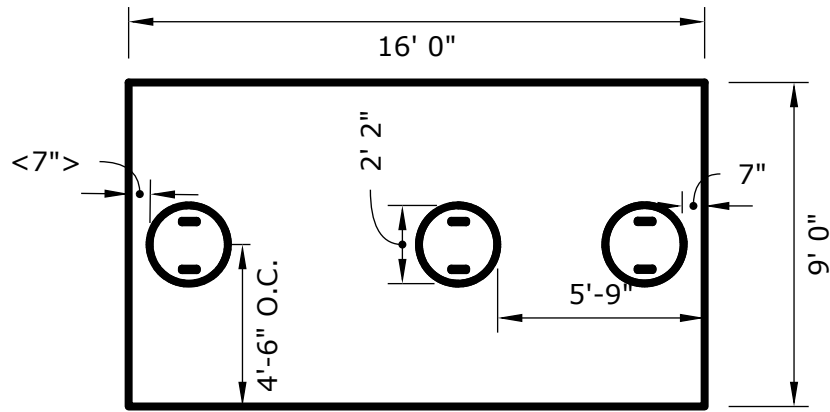


6000 Gallon Septic Tank

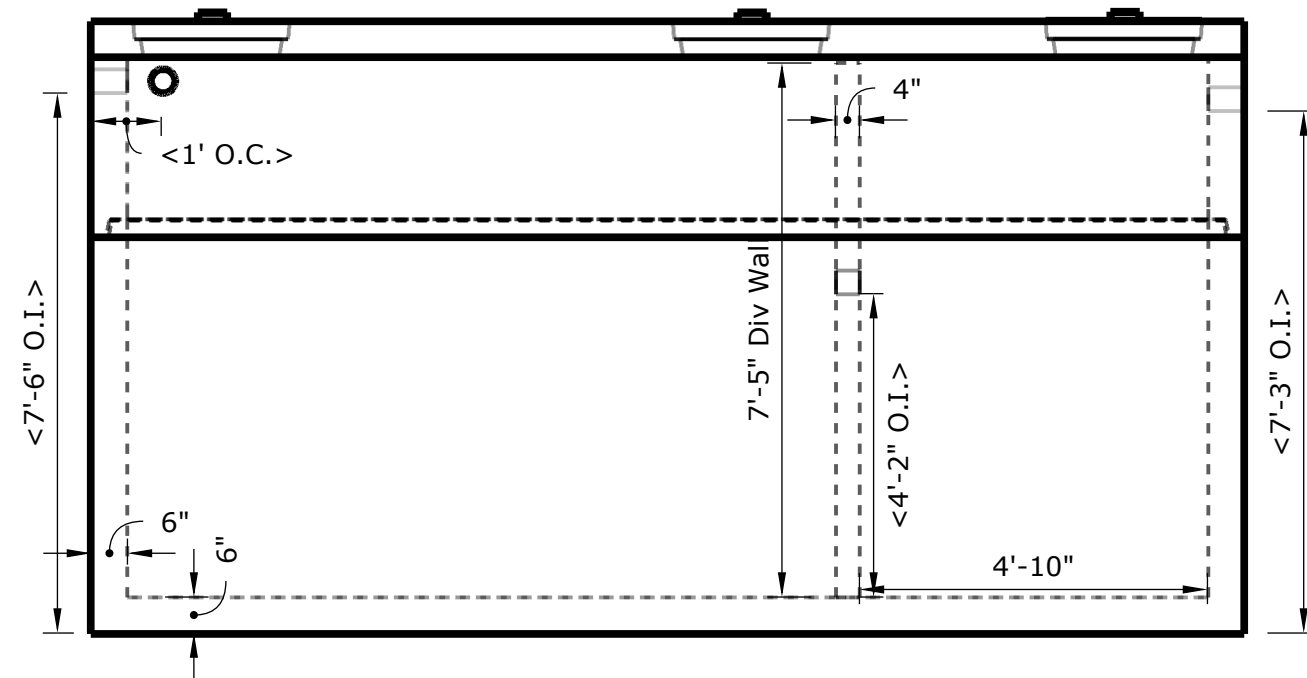


M-1 Tanks Precast
 13058 N Frontage Rd E
 Moses Lake Wa
 98837
 509-766-2914

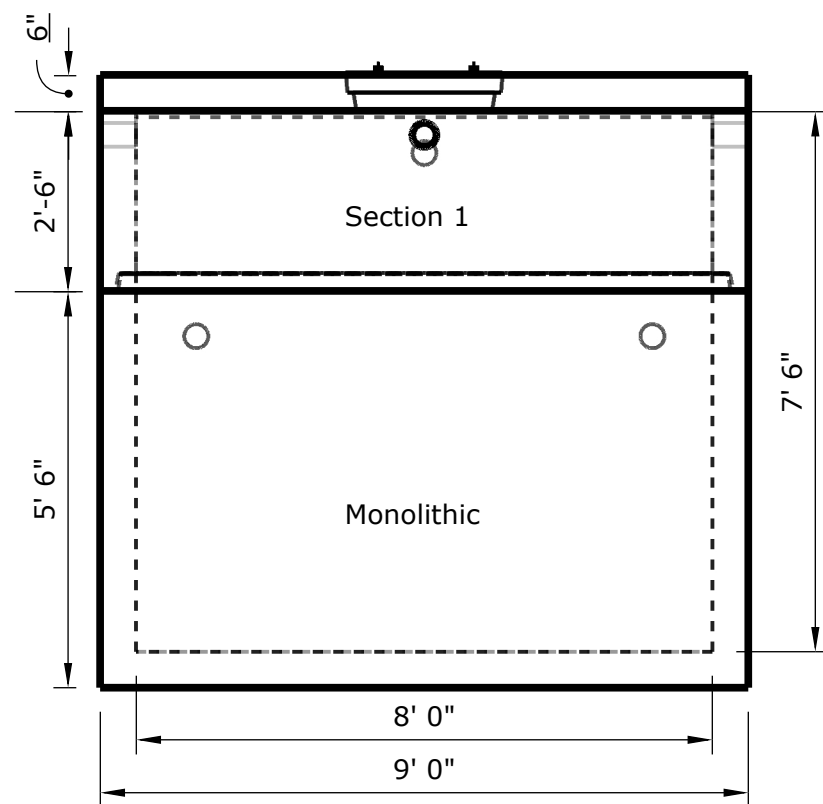
PLAN VIEW
 Scale 1:64



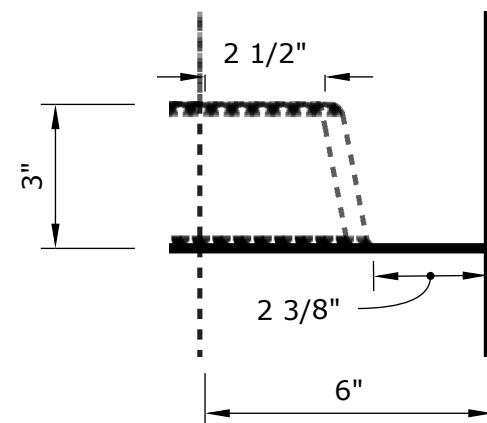
SIDE VIEW
 Scale 1:32



END VIEW
 Scale 1:32



Pallet and Header Joint Detail
 Scale NTS



Notes:

- Concrete Strength 5000 PSI min. at 28day
- Joints to be primed and sealed with Conseal CS-102 butyl rubber sealant
- Inlets/outlets to be cast with Press Seal cast-a-seal 402 watertight flexible connector
- Structure shall meet or exceed ASTM standards

Details:

- 16ft(L) x 9ft(W) x 8ft(H) + 6" Lid
- 6" Walls - 6" Floor
- Divider Wall: Holes - 4'-2" O.I. from floor
- Wall Height - 7'-5" (1" below lid")
- Weight: Monolithic - 28,840 lbs
- Section 1 - 8,400 lbs
- Lid - 10,640 lbs
- Divider Wall - 2,920 lbs
- Total Weight - 50,800 lbs

