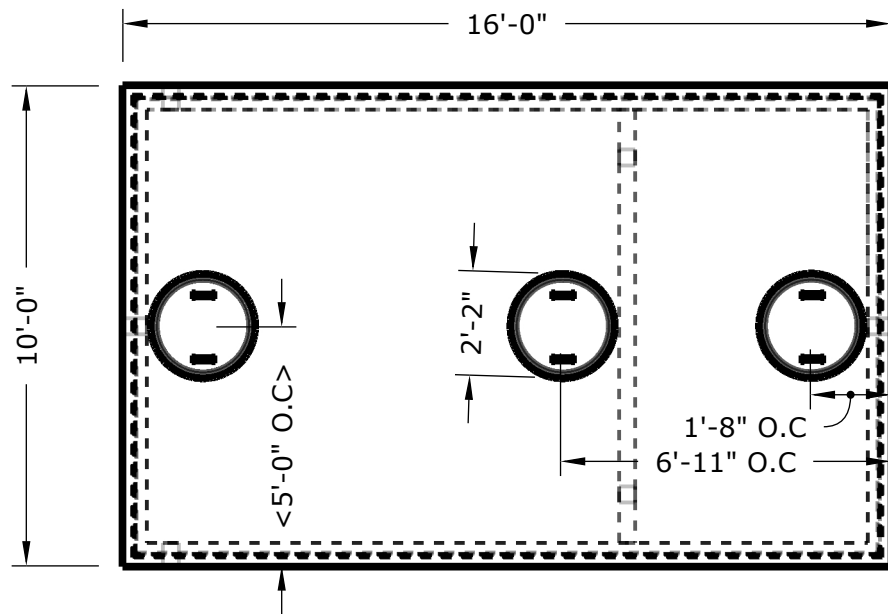


7000 Gallon Septic Tank

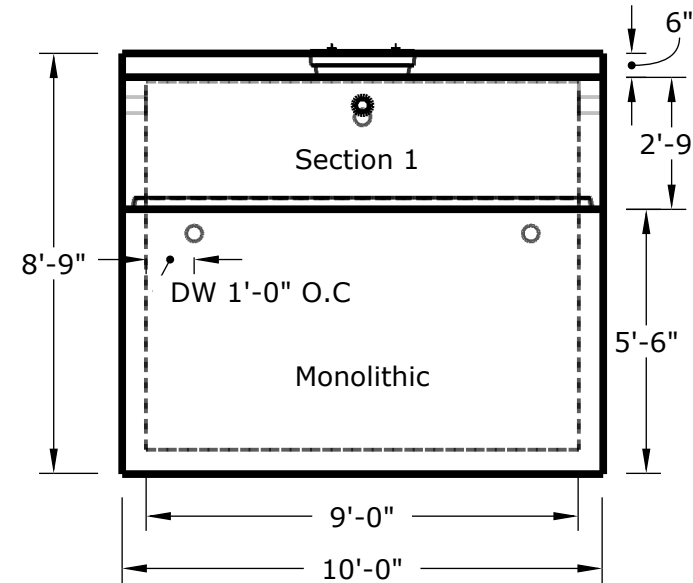


M-1 Tanks Precast
 13058 N Frontage Rd E
 Moses Lake Wa
 98837
 509-766-2914

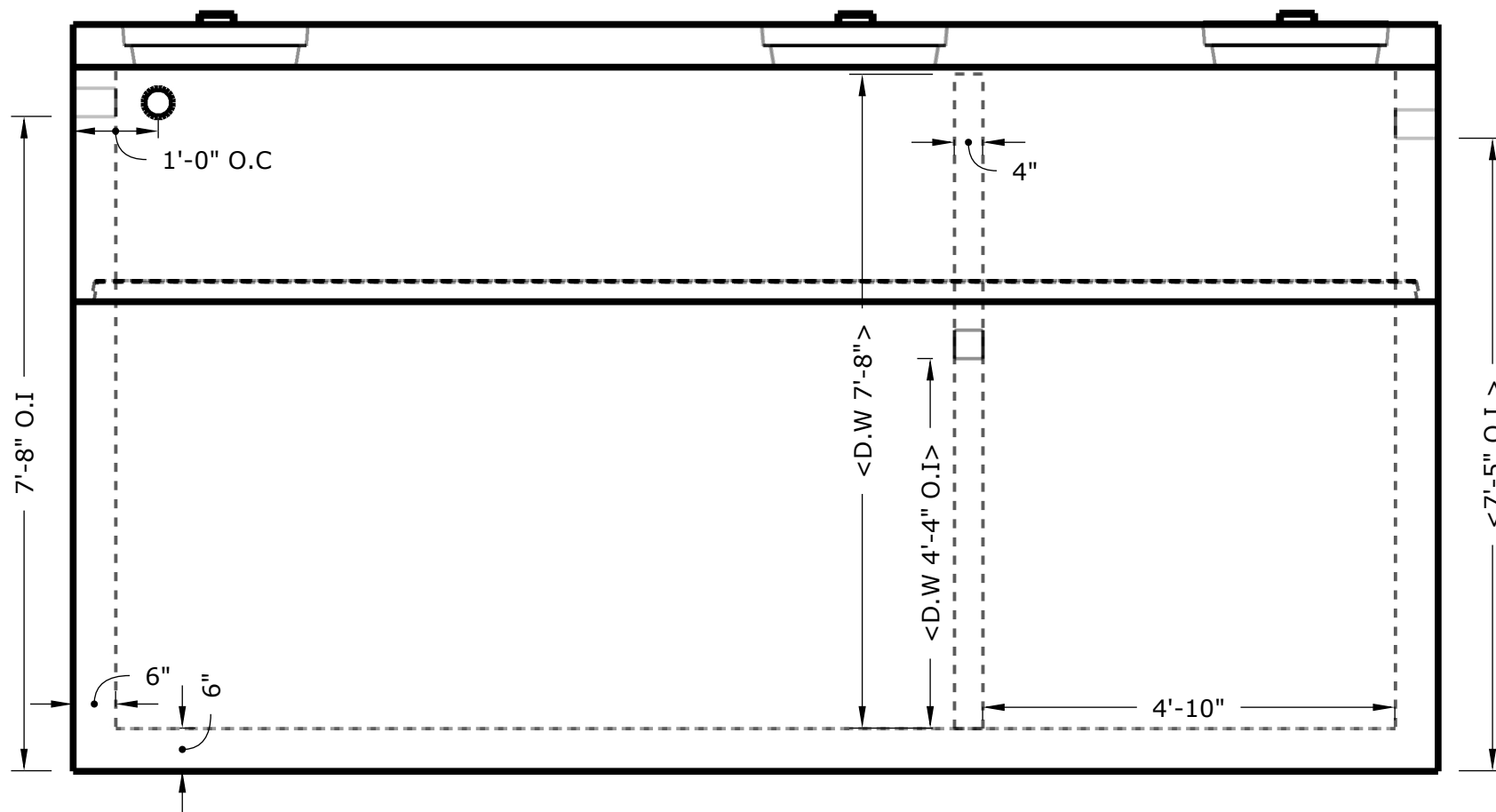
PLAN VIEW
 Scale 1:48



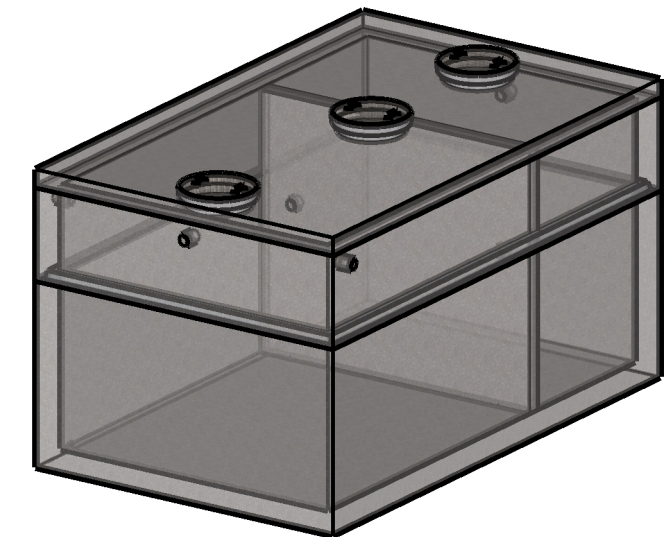
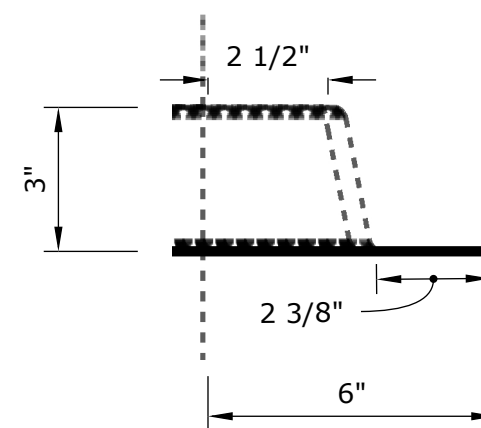
END VIEW
 Scale 1:48



SIDE VIEW
 Scale 1:24



Pallet and Header Joint Detail
 Scale NTS



Notes:

- Concrete Strength 5000 PSI min. at 28day
- Joints to be primed and sealed with Conseal CS-102 butyl rubber sealant
- Inlets/outlets to be cast with Press Seal cast-a-seal 402 watertight flexible connector
- Structure shall meet or exceed ASTM standards

Details:

- 16'-0"(L) x 10'-0"(W) x 8'-3"(H) + 6" Lid
- 6" Walls, 6" Floor
- Divider Wall Height- 7'-8" (1" below lid)
 - D.W. Holes - 4'-4" O.I from floor, 1'-0" O.C from inner wall

- Weight:** Monolithic - 30,800 lbs
 Section 1 - 9,680 lbs
 Lid - 11,840 lbs
 Divider Wall - 3,400
 Total Weight - 55,720 lbs