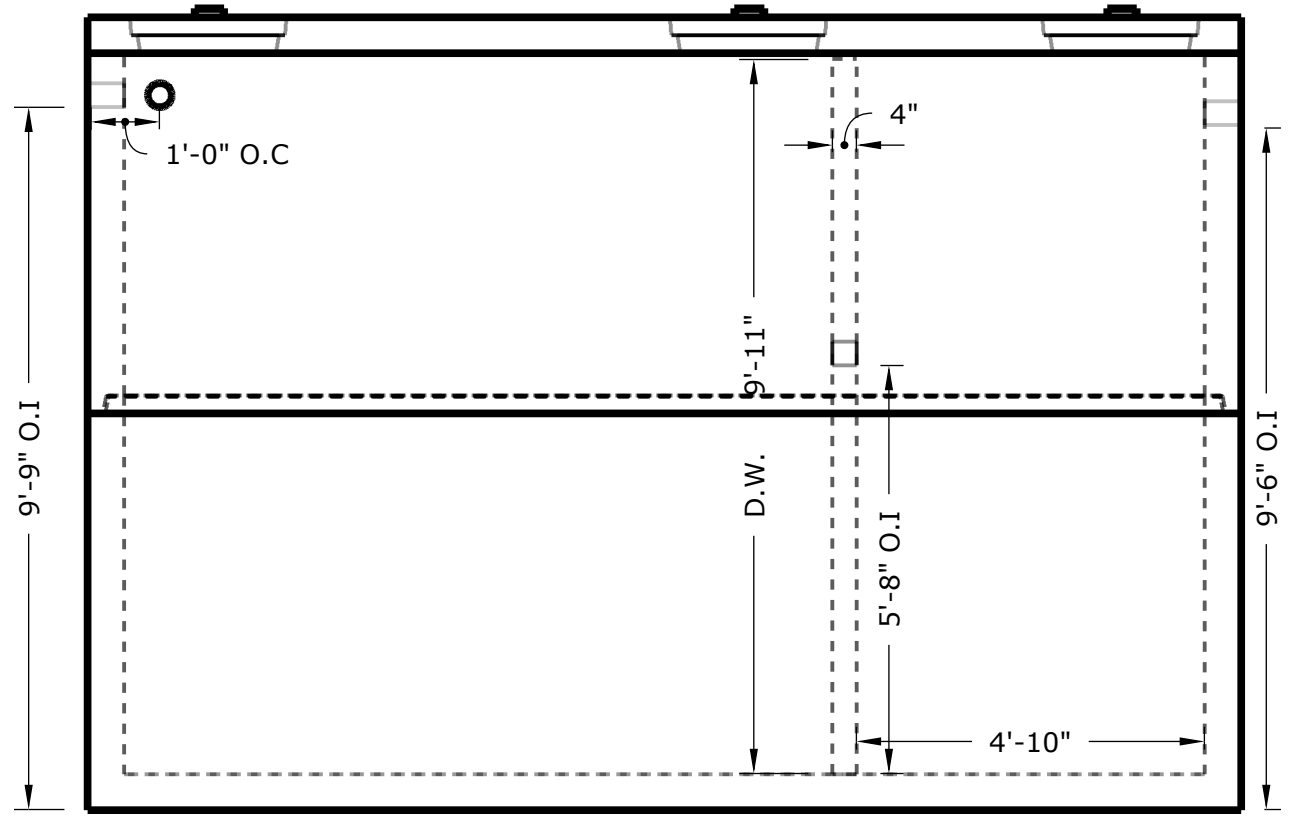


8000 Gallon Septic Tank

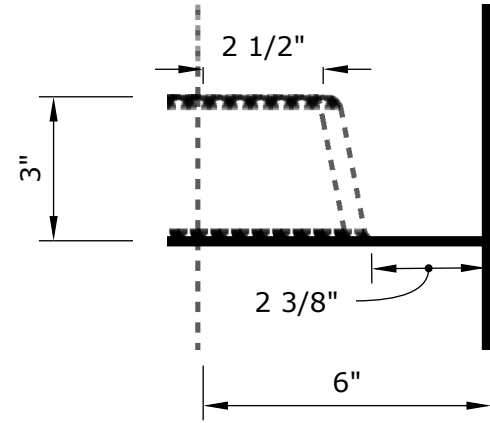


M-1 Tanks Precast
 13058 N Frontage Rd E
 Moses Lake Wa
 98837
 509-766-2914

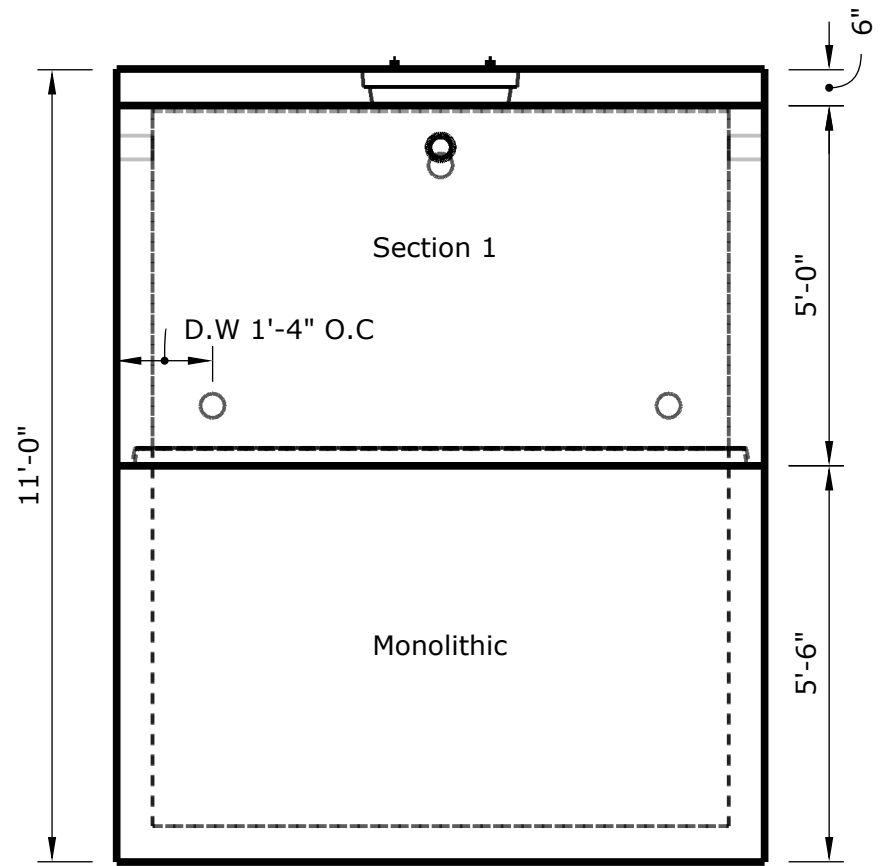
Side View
 Scale 1:32



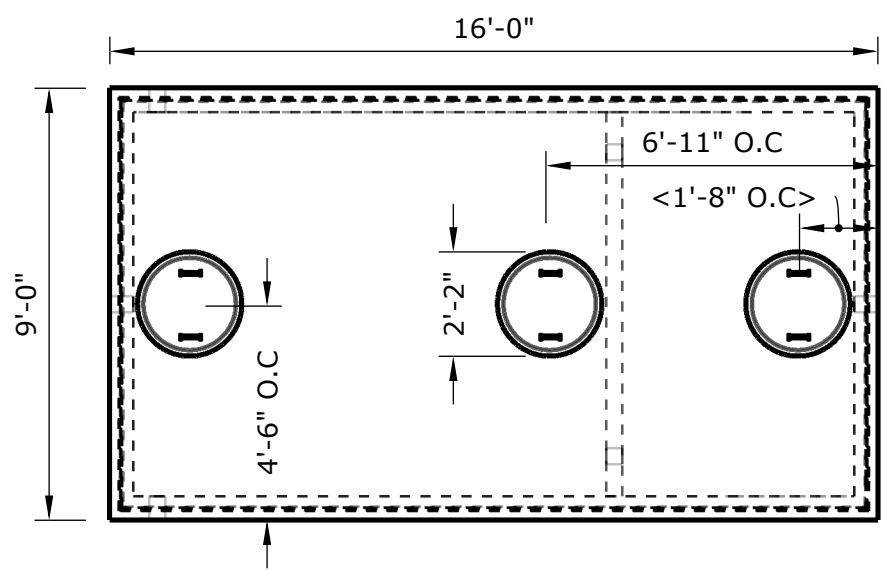
Pallet and Header Joint Detail
 Scale NTS



END VIEW
 Scale 1:32



PLAN VIEW
 Scale 1:48



- Notes:
- Concrete Strength 5000 PSI min. at 28day
 - Joints to be primed and sealed with Conseal CS-102 butyl rubber sealant
 - Inlets/outlets to be cast with Press Seal cast-a-seal 402 watertight flexible connector
 - Structure shall meet or exceed ASTM standards

- Details:
- 16'-0"(L) x 9'-0"(W) x 10'-6"(H) + 6" Lid
 - 6" Walls, 6" Floor
 - Divider Wall Height - 9'-11" (1" below lid)
 - D.W Holes - 5'-6" O.I. from floor
 - 1'-4" O.C. from outer wall
- Weight - Monolithic - 28,840 lbs
 Section 1 - 17,280 lbs
 Divider Wall - 3,920 lbs
 Lid - 10,640 lbs
 Total Weight - 60,680 lbs

