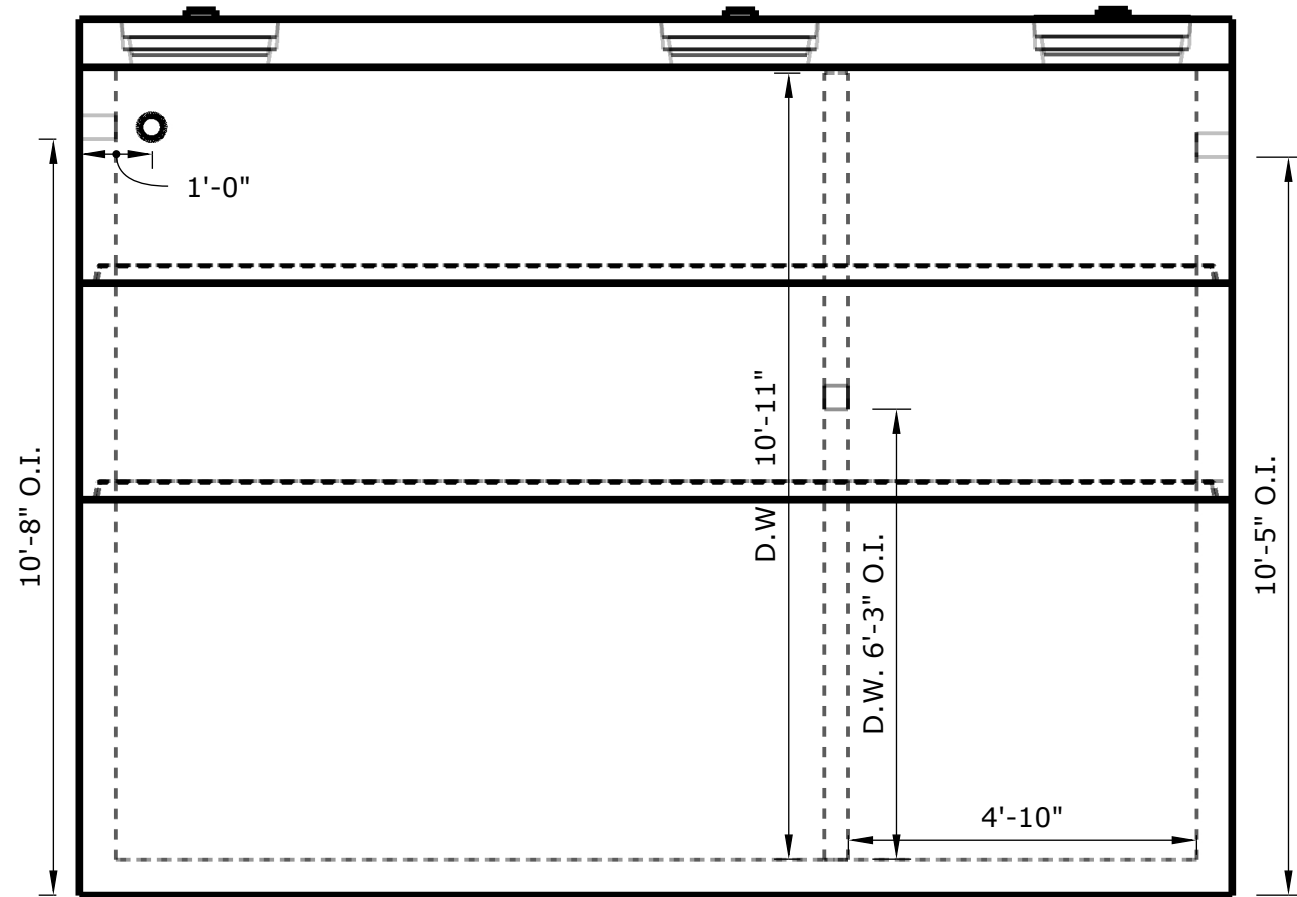


10,000 Gallon Septic Tank - HS-20 Traffic Rated

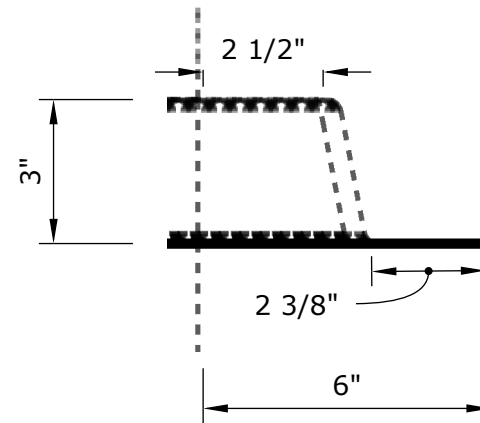


M-1 Tanks Precast
 13058 N Frontage Rd E
 Moses Lake Wa
 98837
 509-766-2914

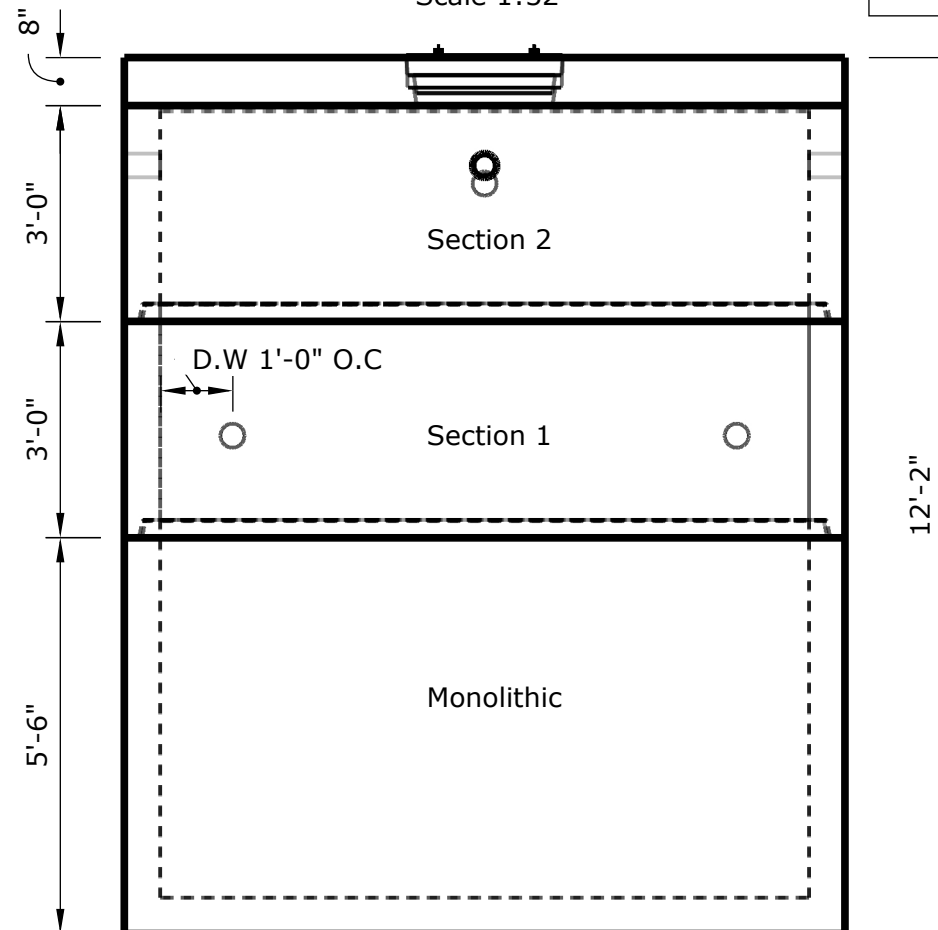
SIDE VIEW
 Scale 1:32



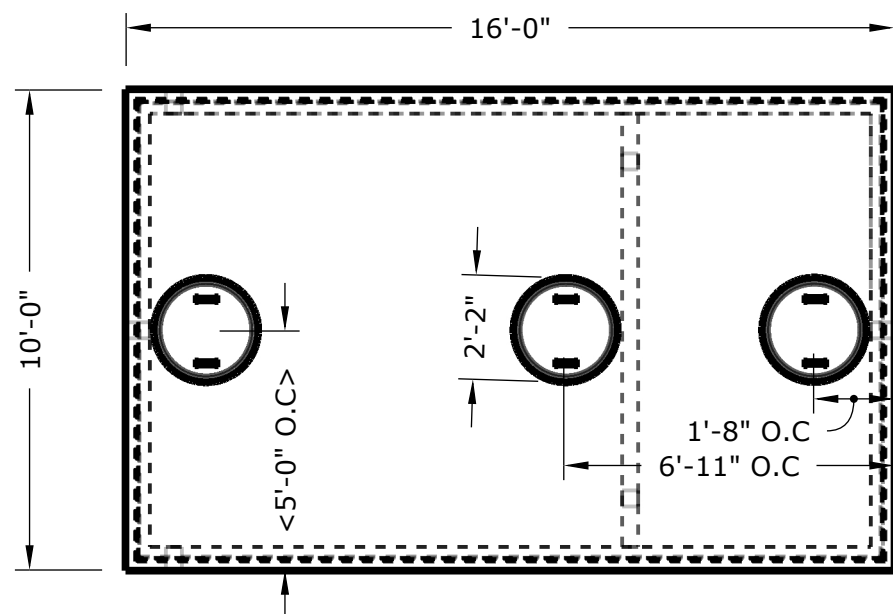
Pallet and Header Joint Detail
 Scale NTS



END VIEW
 Scale 1:32



PLAN VIEW
 Scale 1:48



- Notes:
- Concrete Strength 5000 PSI min. at 28day
 - Joints to be primed and sealed with Conseal CS-102 butyl rubber sealant
 - Inlets/outlets to be cast with Press Seal cast-a-seal 402 watertight flexible connector
 - Structure shall meet or exceed ASTM standards
 - HS-20 rated lid

- Details:
- 16'-0"(L) x 10'-0"(W) x 11'-6"(H) + 8" Lid
 - 6" Walls, 6" Floor
 - Divider Wall: Height - 10'-11" (1" below lid)
 D.W Holes 6'-3" O.I. from floor
 1'-0" O.C. from inner wall
 - Weight- Monolithic - 30,360 lbs
 Section 1 - 11,040 lbs
 Section 2 - 10,600 lbs
 Divider Wall - 4,840 lbs
 Lid - 15,520 lbs
 Total - 72,360 lbs

