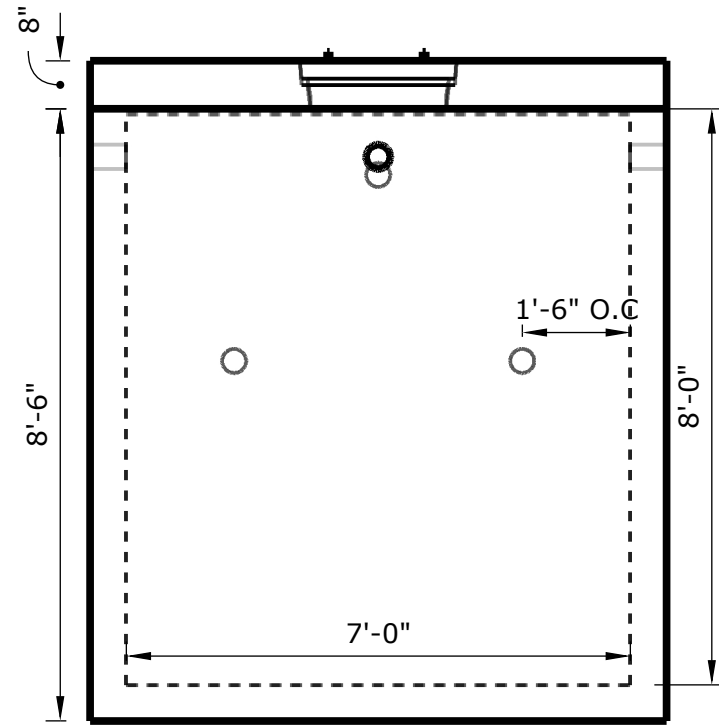
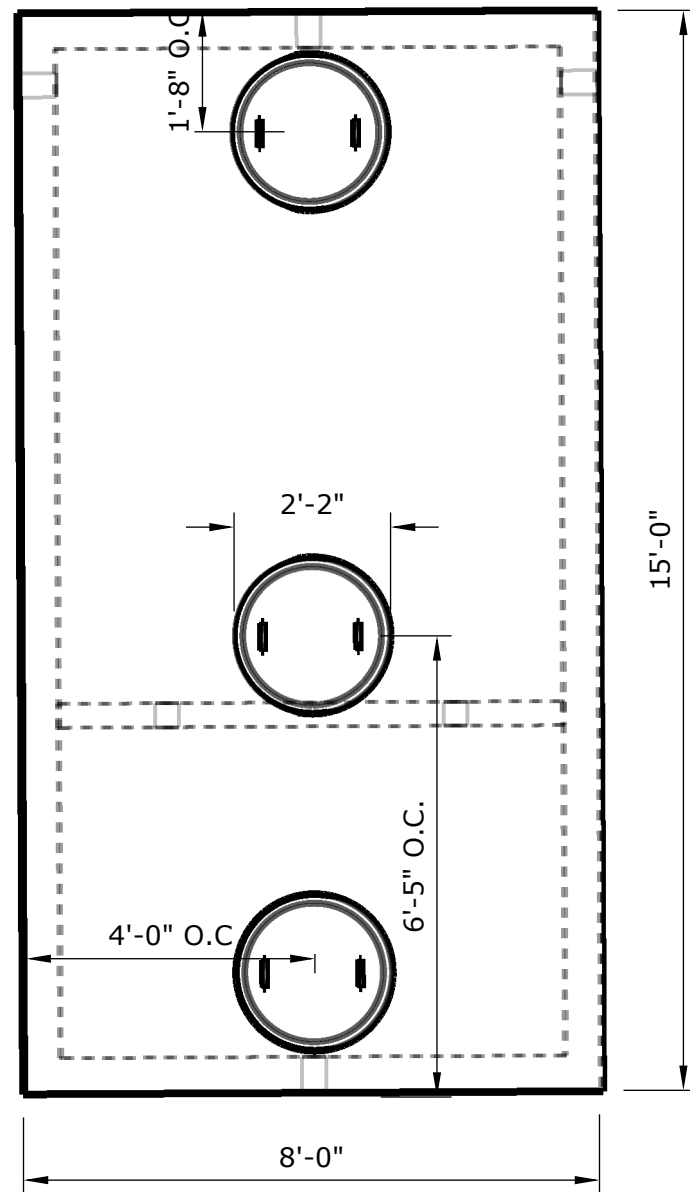


# 5000 Gallon Septic Tank - HS-20 Traffic Rated

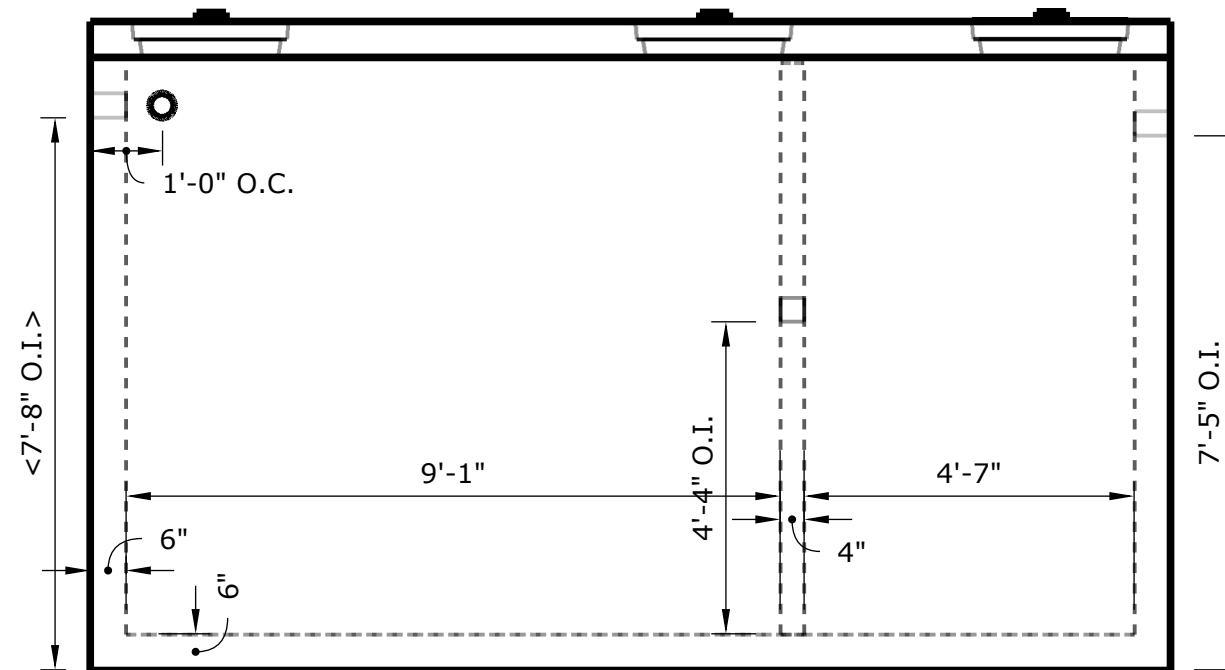


M-1 Tanks Precast  
13058 N Frontage Rd E  
Moses Lake Wa  
98837  
509-766-2914

**PLAN VIEW**  
Scale 1:32



**END VIEW**  
Scale 1:32



**SIDE VIEW**  
Scale 1:32

- Notes:
- Concrete Strength 5000 PSI min. at 28day
  - Joints to be primed and sealed with Conseal CS-102 butyl rubber sealant
  - Inlets/outlets to be cast with Press Seal cast-a-seal 402 watertight flexible connector
  - Structure shall meet or exceed ASTM standards
  - HS-20 rated lid

- Details:
- 15'-0"(L) x 8'-0"(W) x 8'-6" (H) + 8" Lid
  - 6" Walls, 6" Floor
  - Divider Wall Holes - 4'-4" O.I from floor
  - 1'-6" O.C. from inner wall
  - Weight - Tank - 34,920 lbs
  - Divider Wall - 2,720 lbs
  - Lid - 11,880 lbs

