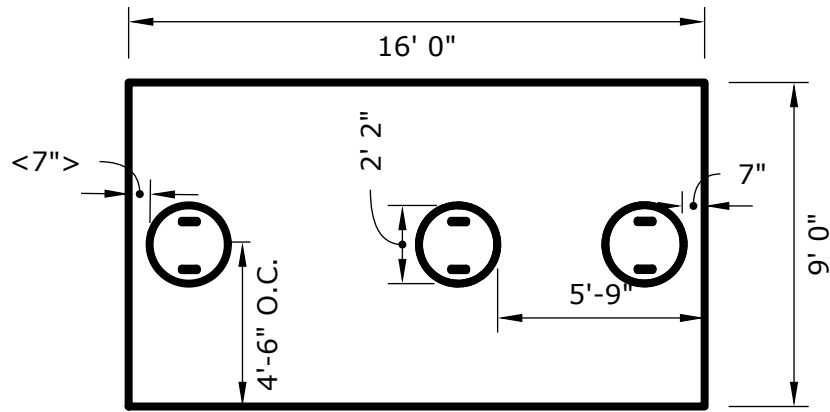


# 6000 Gallon Septic Tank - HS-20 Traffic Rated

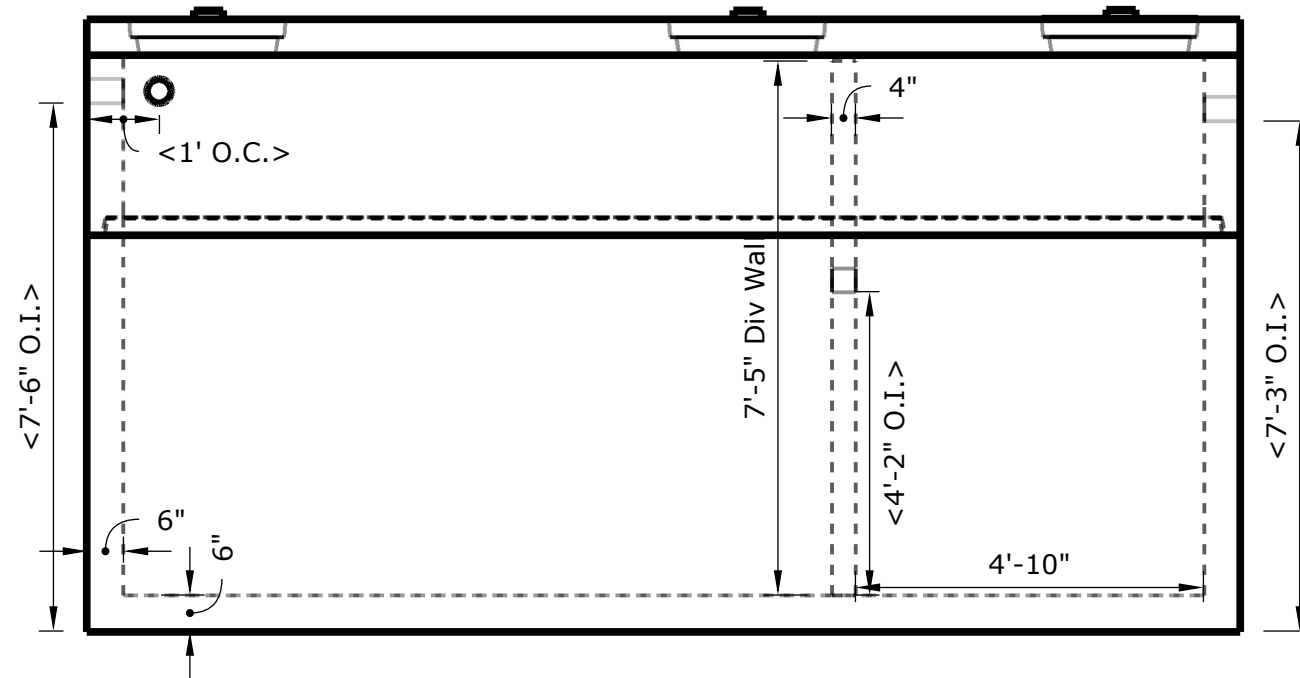


M-1 Tanks Precast  
 13058 N Frontage Rd E  
 Moses Lake Wa  
 98837  
 509-766-2914

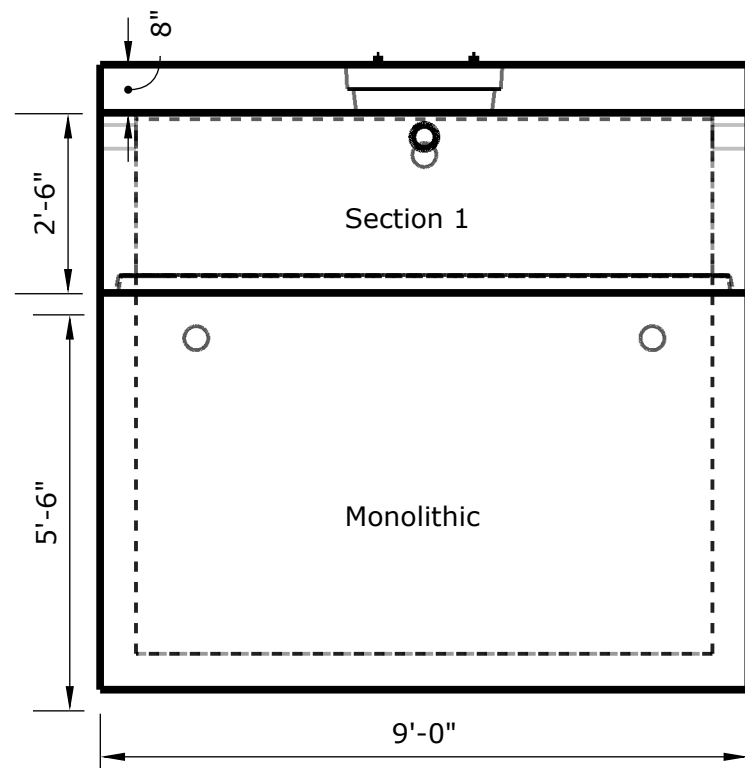
**PLAN VIEW**  
 Scale 1:64



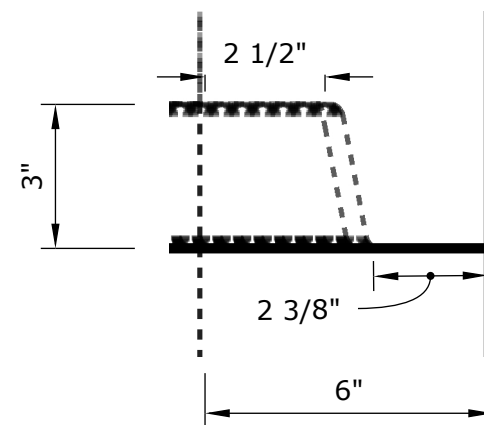
**SIDE VIEW**  
 Scale 1:32



**END VIEW**  
 Scale 1:32



**Pallet and Header Joint Detail**  
 Scale NTS



**Notes:**

- Concrete Strength 5000 PSI min. at 28day
- Joints to be primed and sealed with Conseal CS-102 butyl rubber sealant
- Inlets/outlets to be cast with Press Seal cast-a-seal 402 watertight flexible connector
- Structure shall meet or exceed ASTM standards
- HS-20 rated lid

**Details:**

- 16ft(L) x 9ft(W) x 8ft(H) + 8" Lid
- 6" Walls - 6" Floor
- Divider Wall: Holes - 4'-2" O.I. from floor
- Wall Height - 7'-5" (1" below lid")
- Weight: Monolithic - 28,840 lbs
- Section 1 - 8,400 lbs
- Lid - 15,200 lbs
- Divider Wall - 2,920 lbs
- Total Weight - 55,360 lbs

