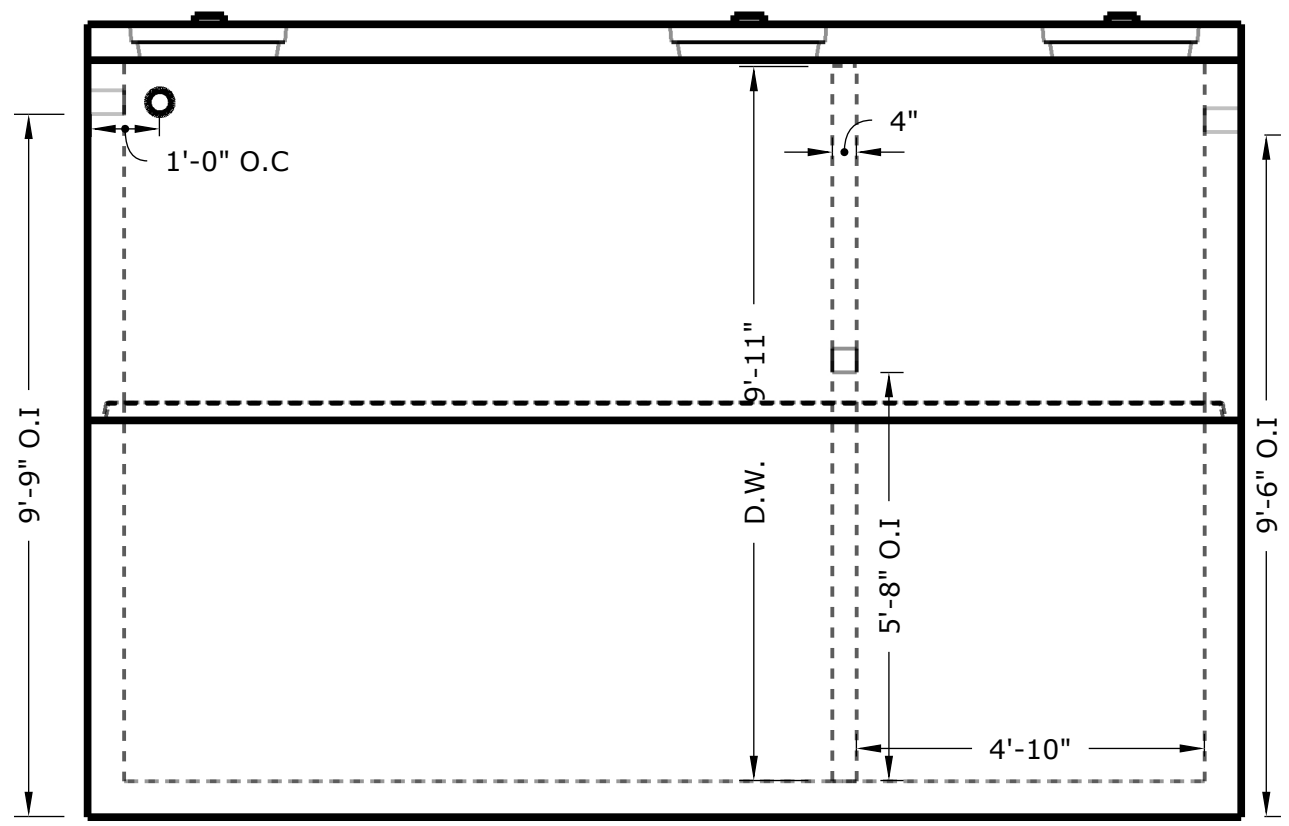


# 8000 Gallon Septic Tank - HS-20 Traffic Rated

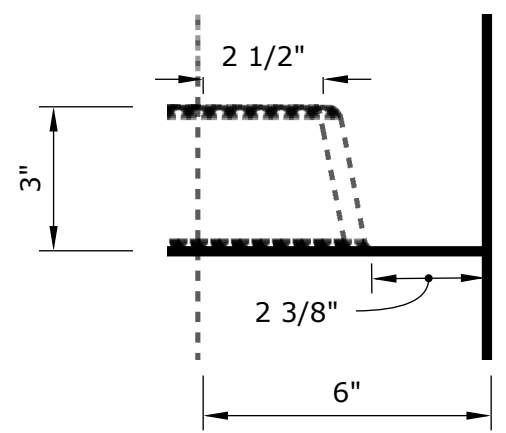


M-1 Tanks Precast  
 13058 N Frontage Rd E  
 Moses Lake Wa  
 98837  
 509-766-2914

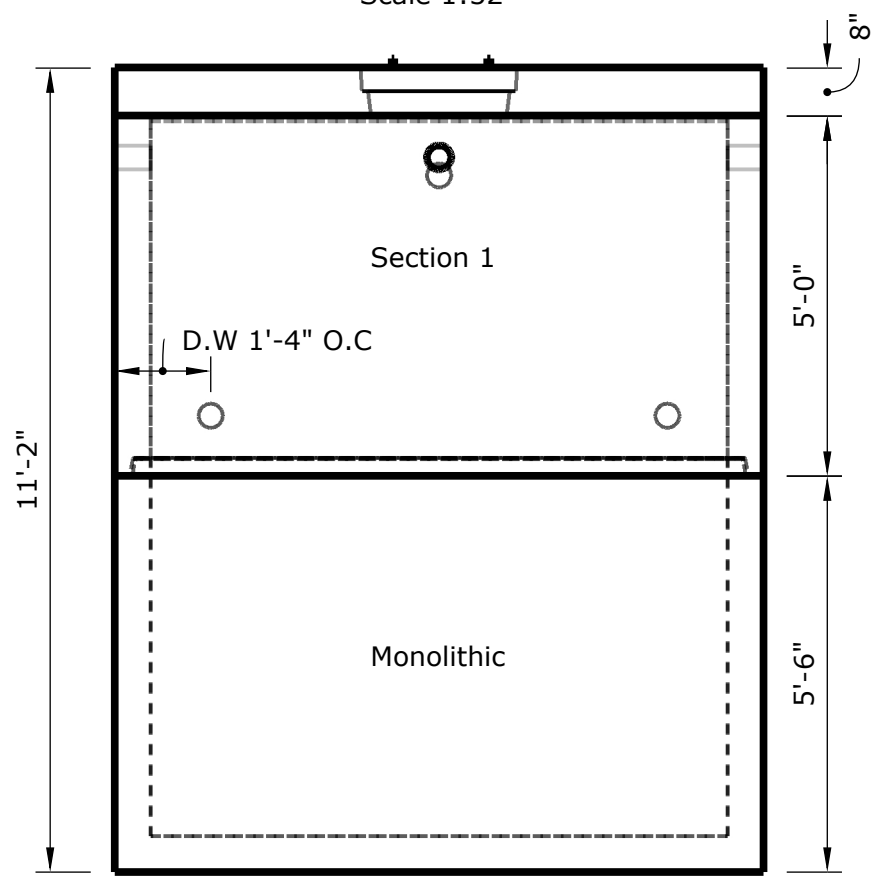
**Side View**  
 Scale 1:32



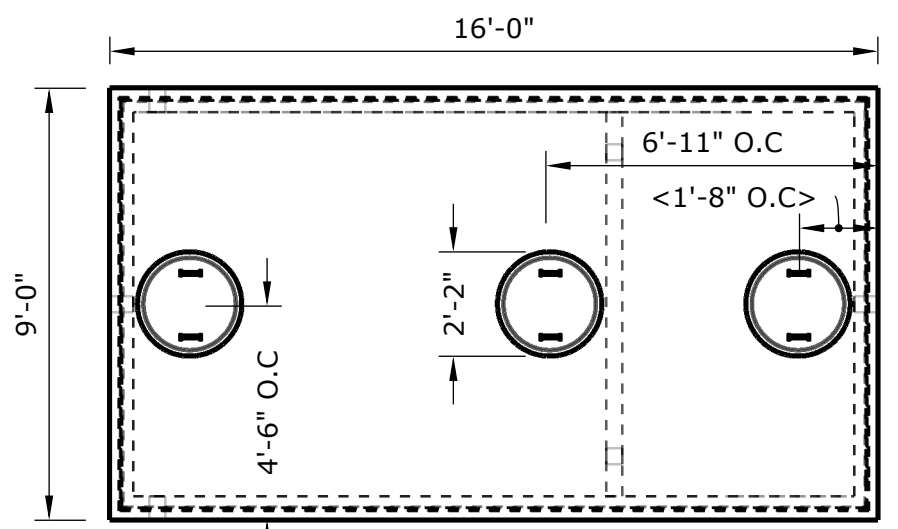
**Pallet and Header Joint Detail**  
 Scale NTS



**END VIEW**  
 Scale 1:32



**PLAN VIEW**  
 Scale 1:48



- Notes:**
- Concrete Strength 5000 PSI min. at 28day
  - Joints to be primed and sealed with Conseal CS-102 butyl rubber sealant
  - Inlets/outlets to be cast with Press Seal cast-a-seal 402 watertight flexible connector
  - Structure shall meet or exceed ASTM standards
  - HS-20 rated lid

- Details:**
- 16'-0"(L) x 9'-0"(W) x 10'-6"(H) + 8" Lid
  - 6" Walls, 6" Floor
  - Divider Wall Height - 9'-11" (1" below lid)
    - D.W Holes - 5'-6" O.I. from floor
    - 1'-4" O.C. from outer wall
- Weight - Monolithic - 28,840 lbs**  
 Section 1 - 17,280 lbs  
 Divider Wall - 3,920 lbs  
 Lid - 15,200 lbs  
 Total Weight - 65,240 lbs

