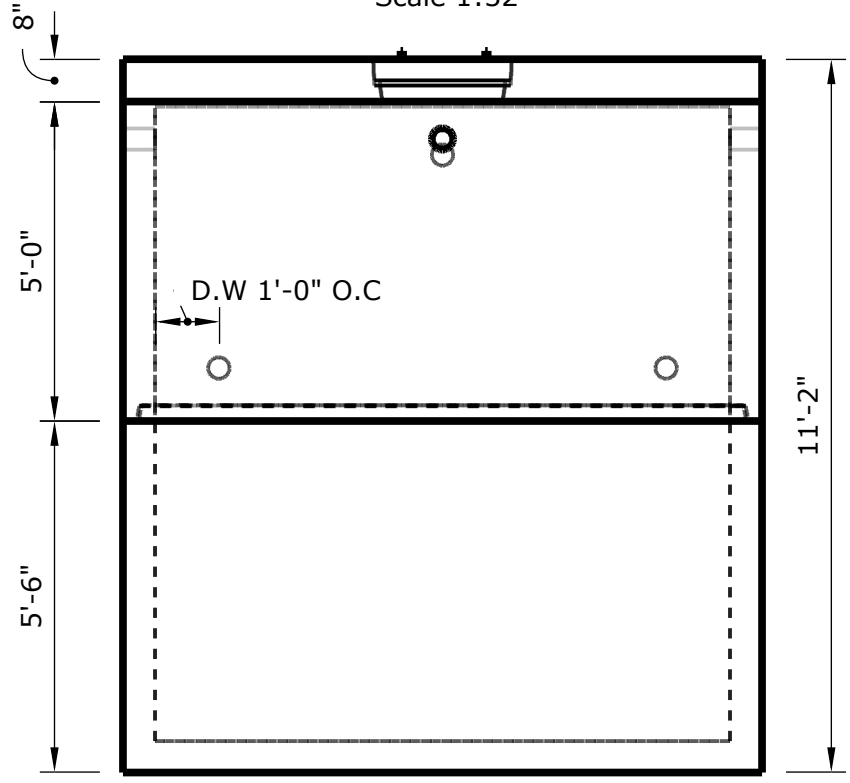


9000 Gallon Septic Tank - HS-20 Traffic Rated

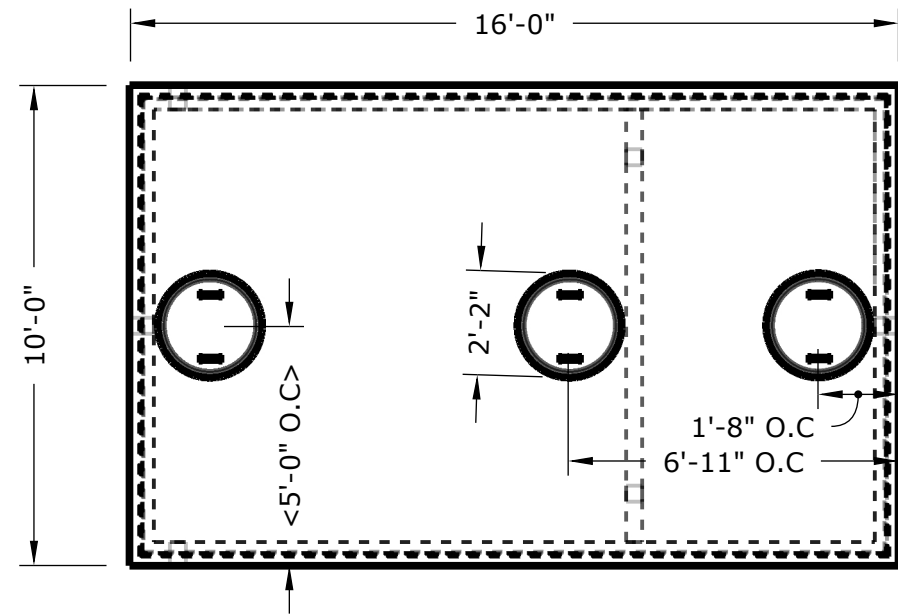


M-1 Tanks Precast
 13058 N Frontage Rd E
 Moses Lake Wa
 98837
 509-766-2914

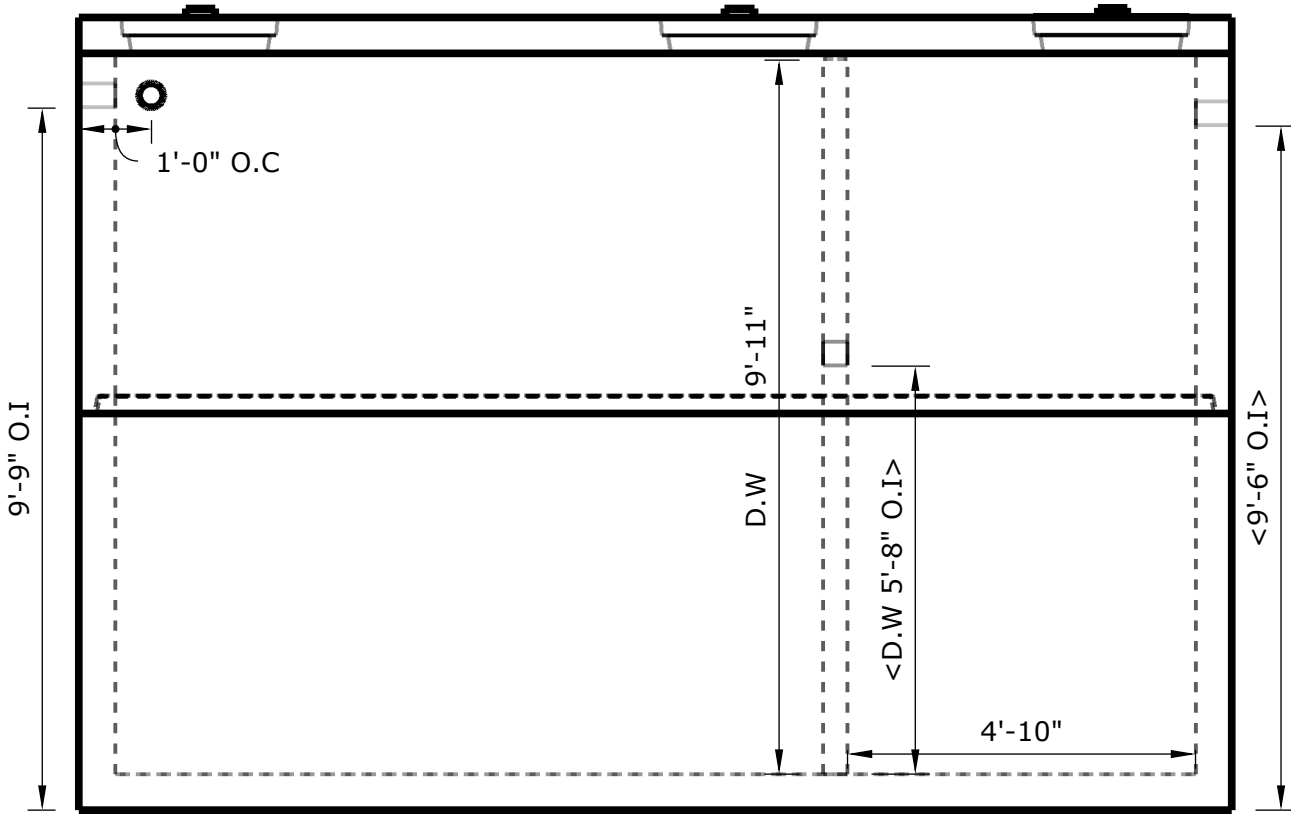
END VIEW
 Scale 1:32



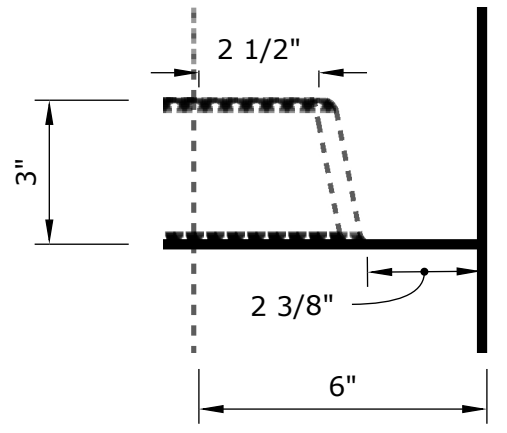
PLAN VIEW
 Scale 1:48



SIDE VIEW
 Scale 1:32



Pallet and Header Joint Detail
 Scale NTS



- Notes:
- Concrete Strength 5000 PSI min. at 28day
 - Joints to be primed and sealed with Conseal CS-102 butyl rubber sealant
 - Inlets/outlets to be cast with Press Seal cast-a-seal 402 watertight flexible connector
 - Structure shall meet or exceed ASTM standards
 - HS-20 rated lid

- Details:
- 16'-0"(L) x 10'-0"(W) x 10'-6"(H) + 6" Lid
 - 6" Walls, 6" Floor
 - Divider Wall Height - 9'-11" from floor (1" below lid)
 D.W Holes - 5'-6" O.I from floor
 1'-0" from inner wall
- Weights - Monolithic - 30,800 lbs
 Section 1 - 18,000 lbs
 Lid - 15,760 lbs
 Divider Wall - 4,400 lbs
 Total Weight - 68,960 lbs

