

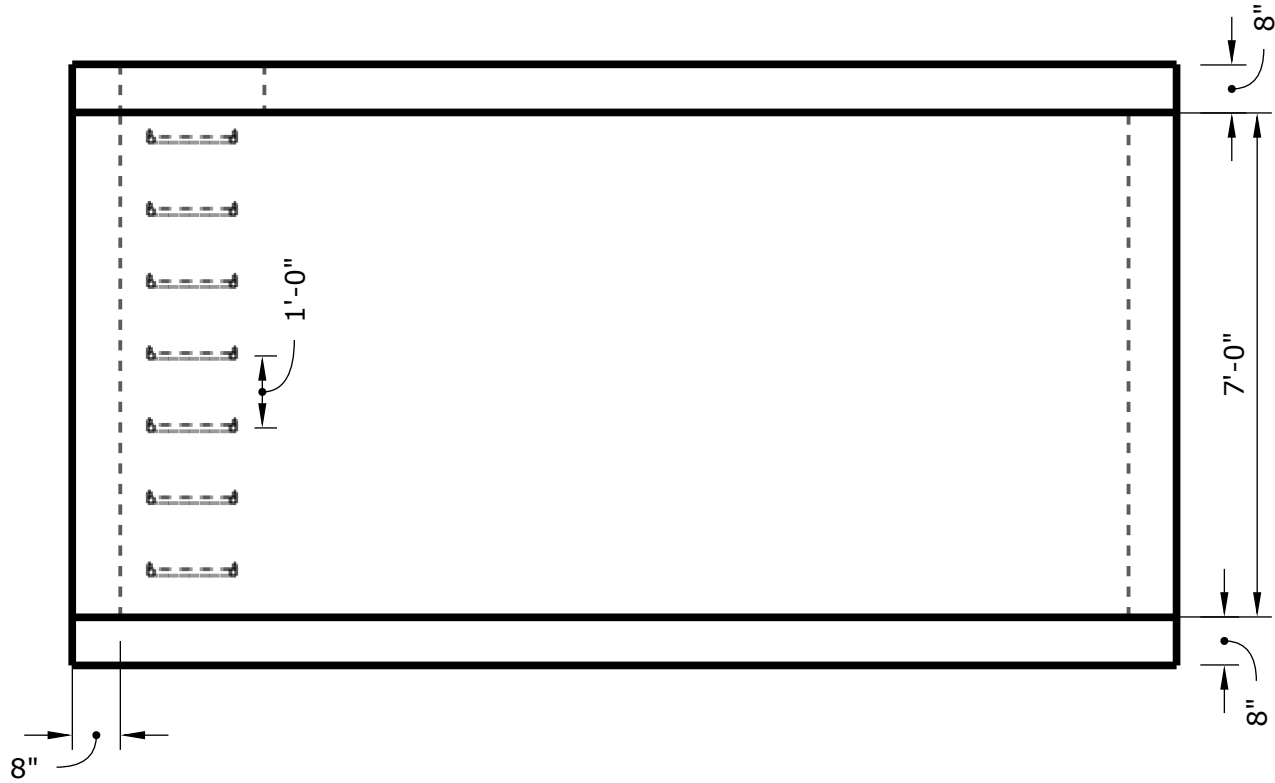
M-10147-8



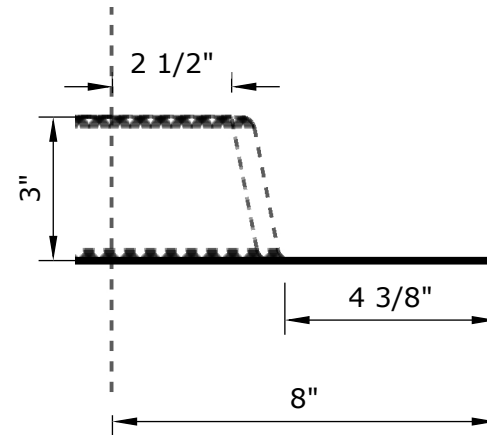
M-1 Tanks Precast
13058 N Frontage Rd E
Moses Lake Wa
98837
509-766-2914

SIDE VIEW

Scale 1:32



Pallet and Header Joint Detail



Notes:

- Vault built to meet or exceed ASTM standards
- Knockouts available upon request
- Concrete Strength - 5000 PSI minimum at 28 day

Weight

Lid: 16,760 lbs
Riser: 35,040 lbs
Bottom Slab; 17,160 lbs
Total: 68,960 lbs

TOP VIEW

Scale 1:32

