

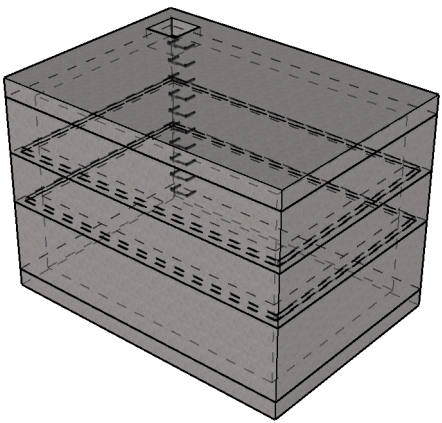
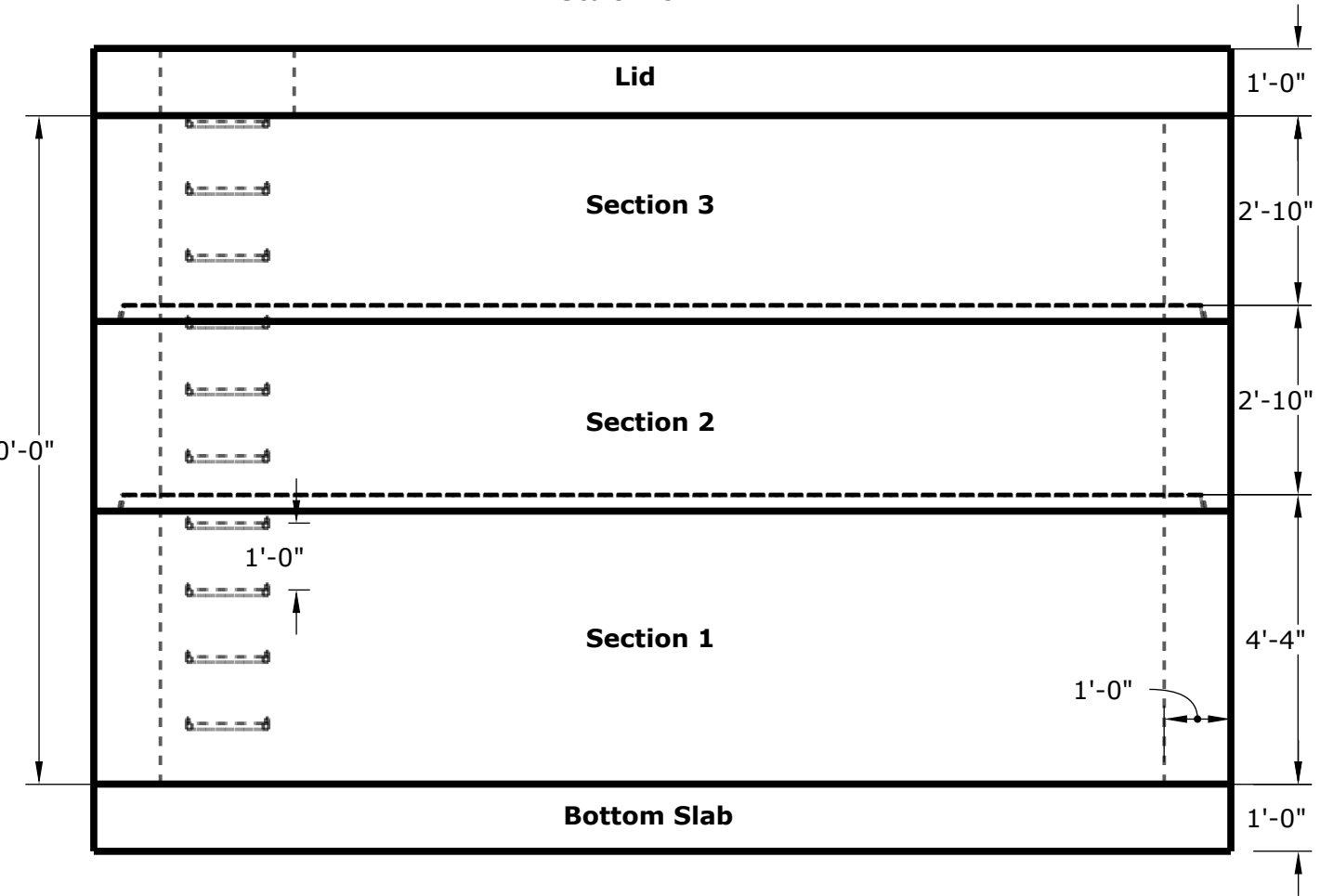
M-101510-12



M-1 Tanks Precast
 13058 N Frontage Rd E
 Moses Lake Wa
 98837
 509-766-2914

SIDE VIEW

Scale 1:32



Notes:

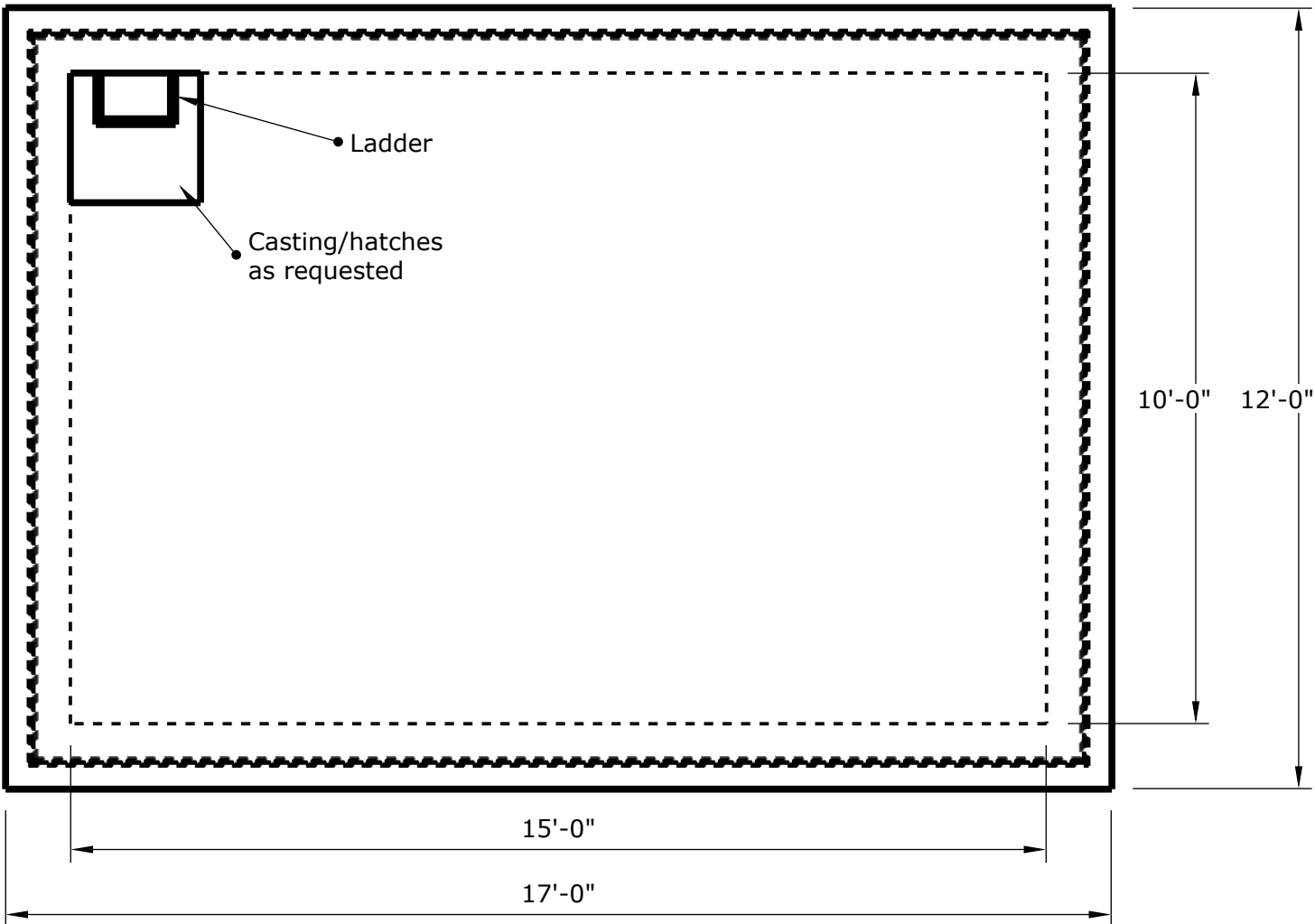
- Vault built to meet or exceed ASTM standards
- Knockouts available upon request
- Concrete Strength - 5000 PSI minimum at 28 day

Weight

- Lid - 29,640 lbs
- Riser Section 3 - 23,480 lbs
- Riser Section 2 - 22,600 lbs
- Riser Section 1 - 33,760 lbs
- Bottom Slab - 30,240 lbs
- Total - 139,720**

PLAN VIEW

Scale 1:32



Pallet and Header Joint Detail

