

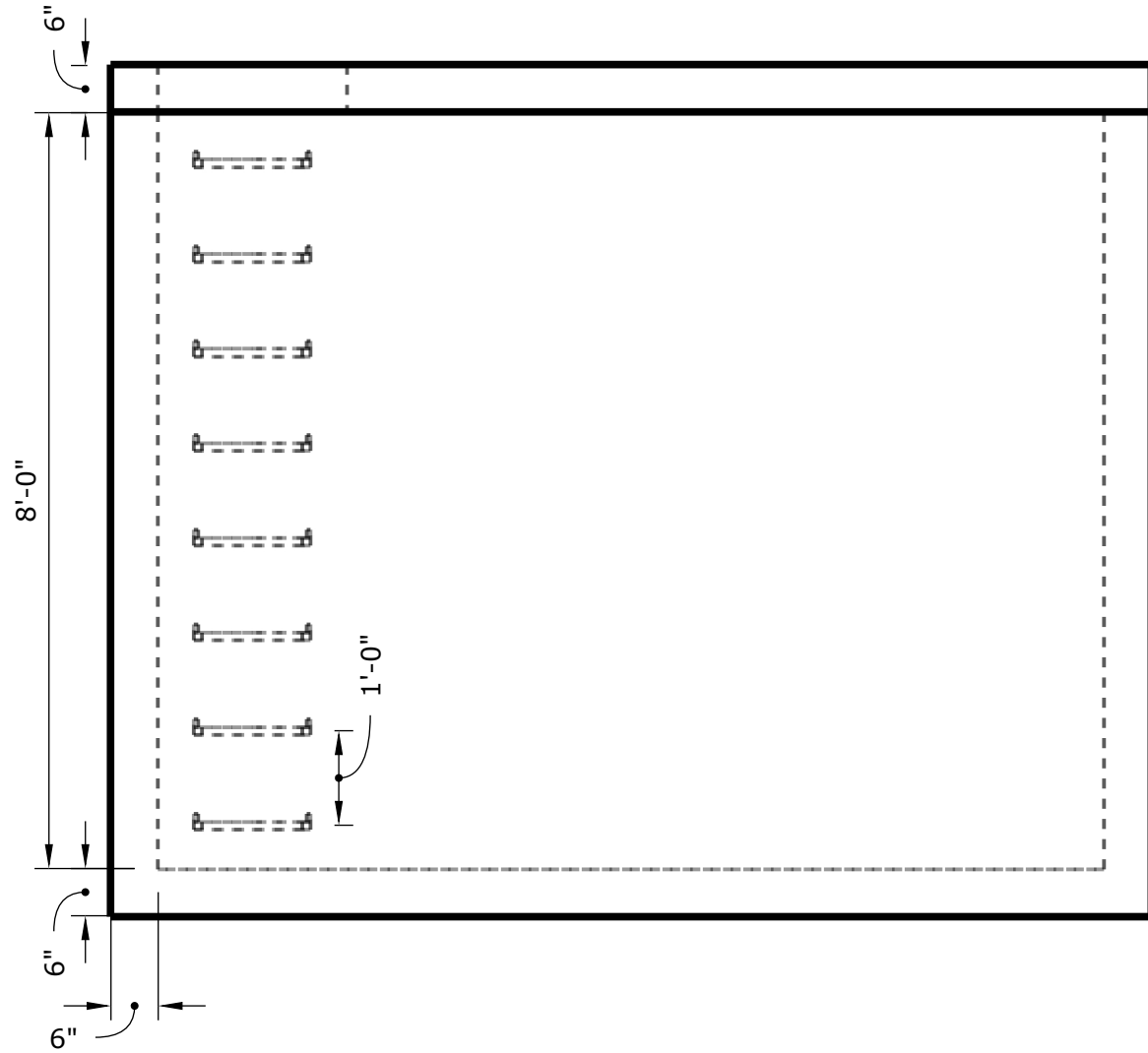
M-6108-6



M-1 Tanks Precast
13058 N Frontage Rd E
Moses Lake Wa
98837
509-766-2914

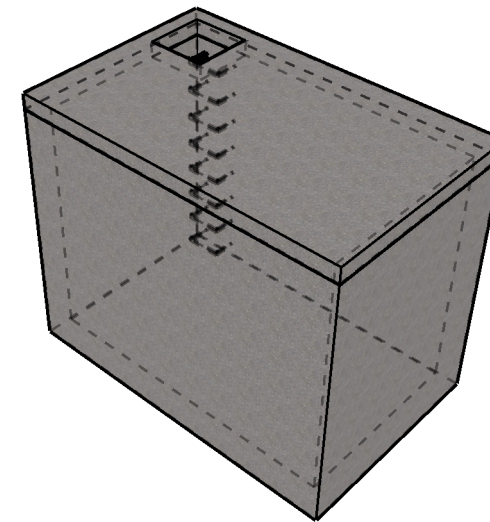
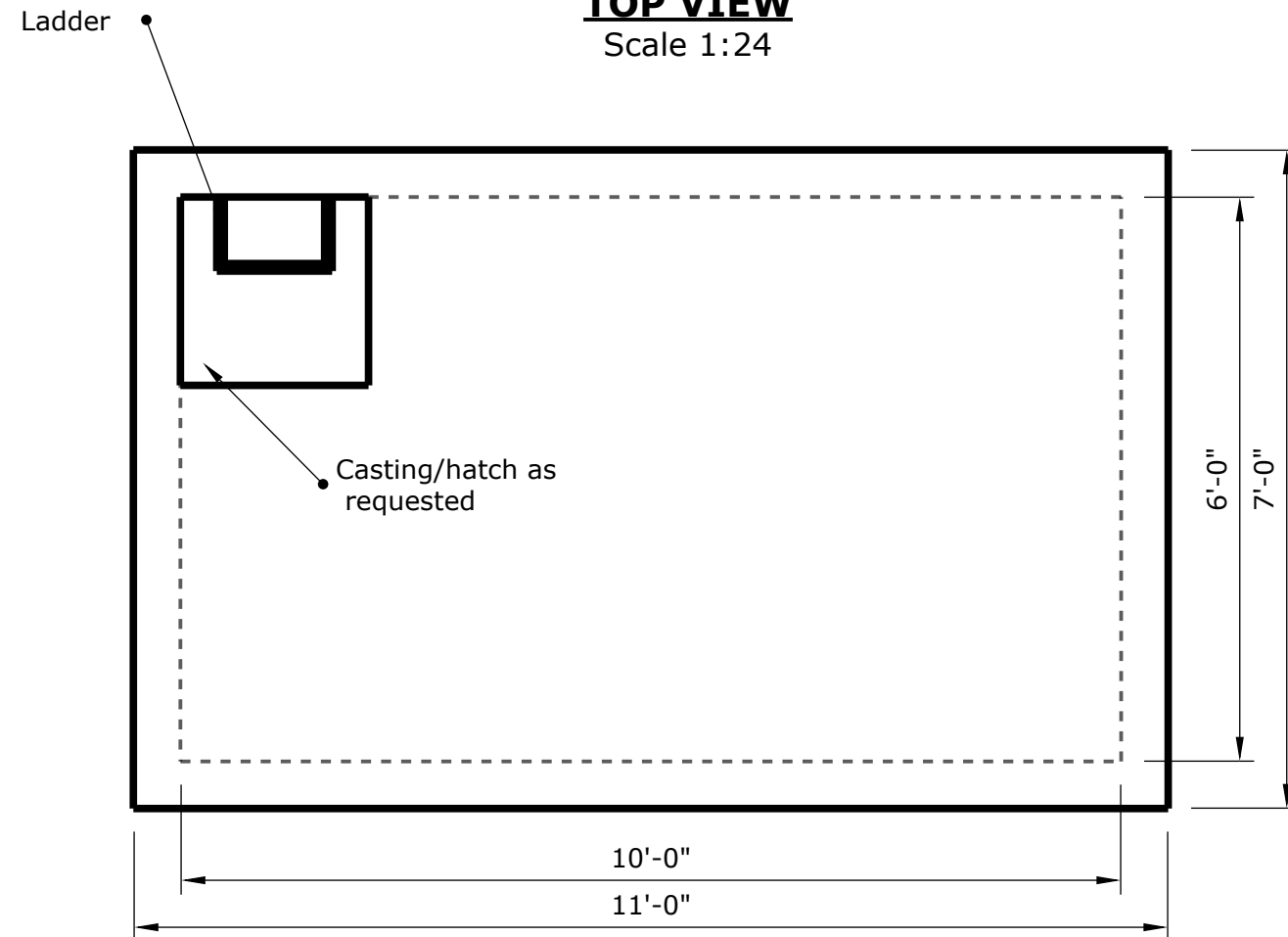
SIDE VIEW

Scale 1:24



TOP VIEW

Scale 1:24



Notes:

- Vault built to meet or exceed ASTM standards
- Knockouts available upon request
- Concrete Strength - 5000 PSI minimum at 28 day

Weight:

Base: 25,840 lbs
Lid: 5,400 lbs