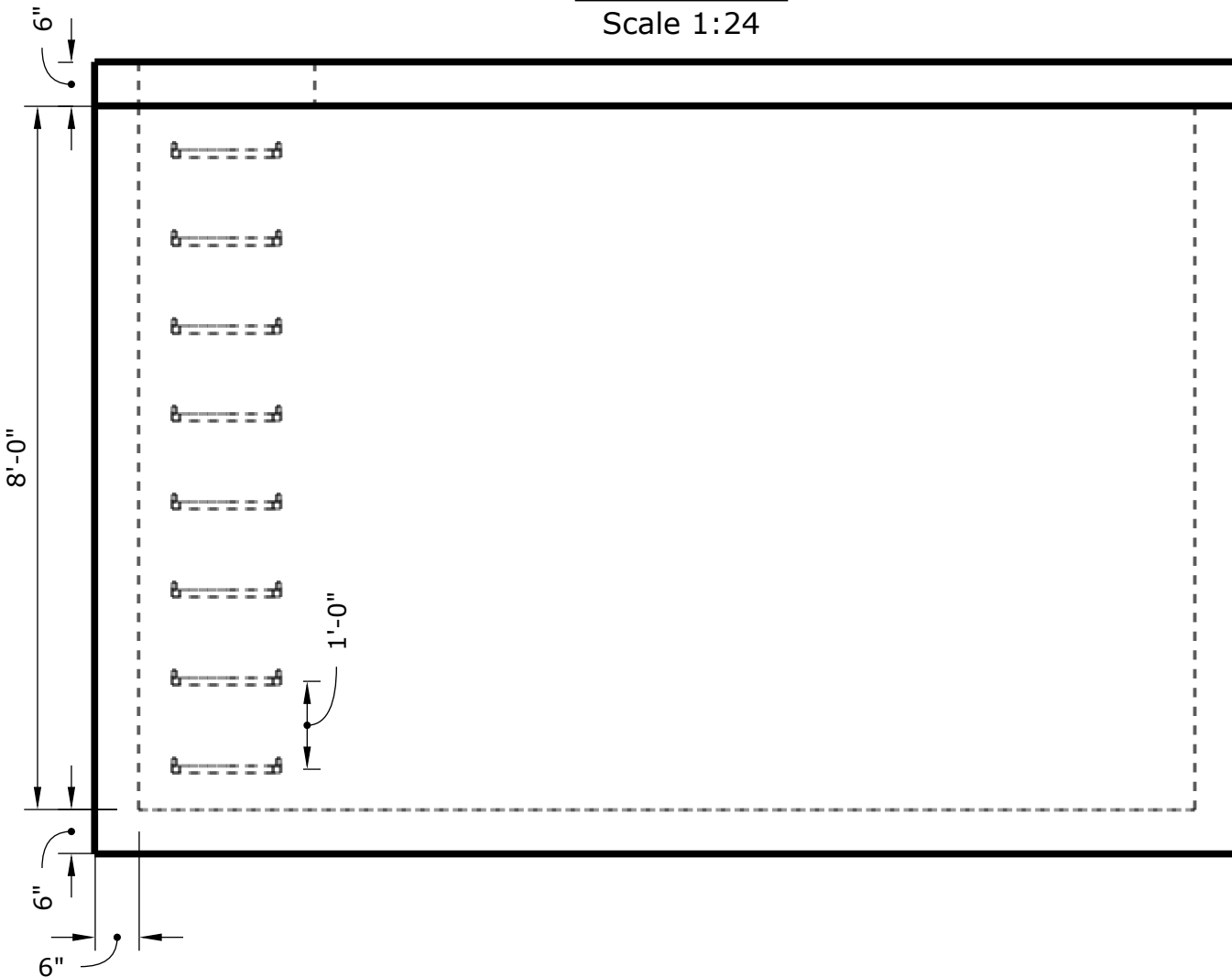


# M-6128-6



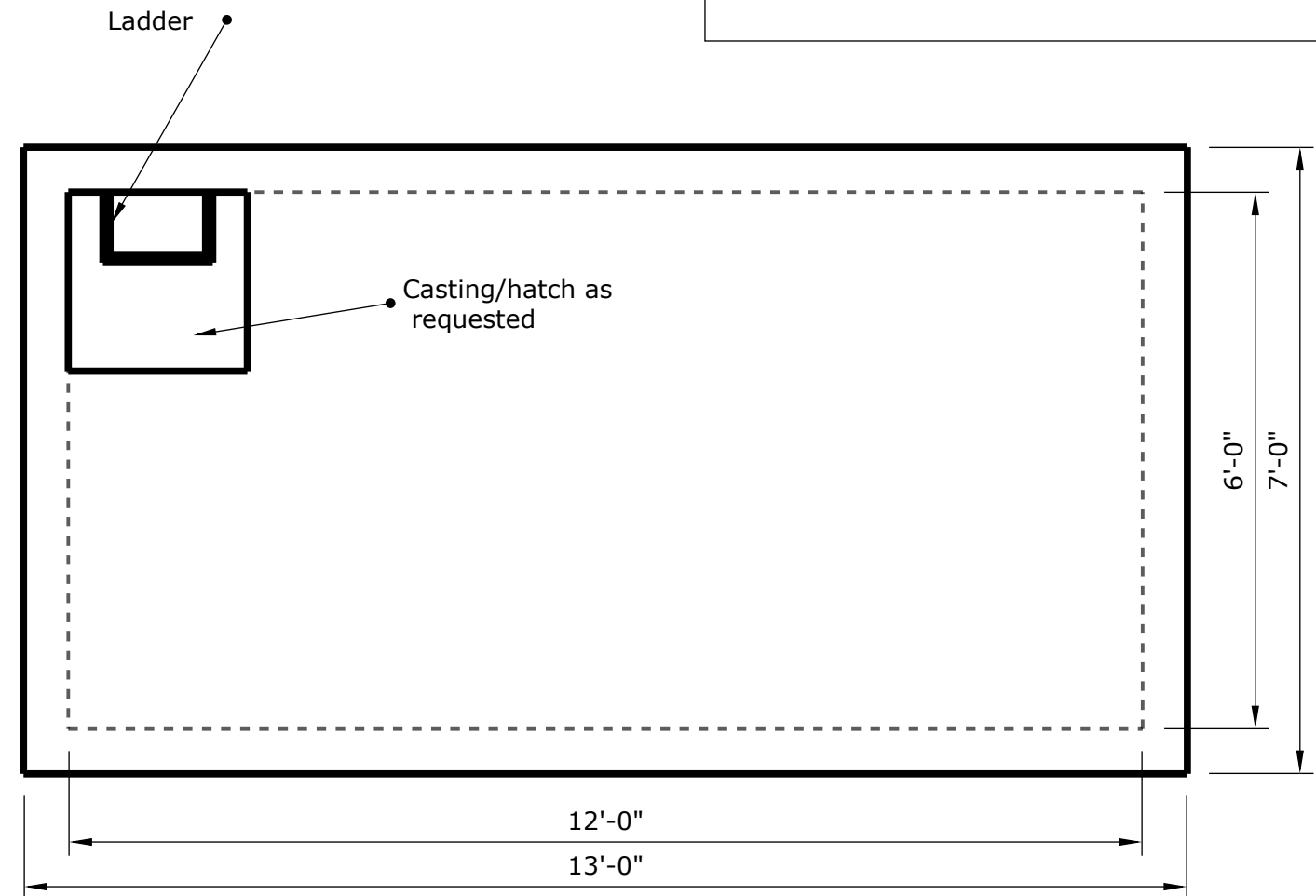
M-1 Tanks Precast  
13058 N Frontage Rd E  
Moses Lake Wa  
98837  
509-766-2914

**SIDE VIEW**  
Scale 1:24

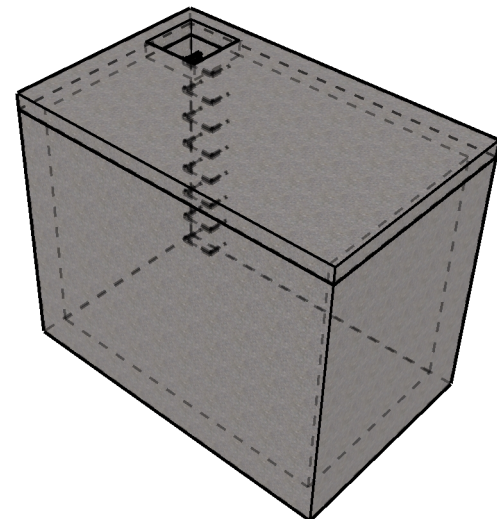


**Notes:**

- Vault built to meet or exceed ASTM standards
- Knockouts available upon request
- Concrete Strength - 5000 PSI minimum at 28 day



**TOP VIEW**  
Scale 1:24



**Weight:**  
Base: 29,240 lbs  
Lid: 6,440 lbs