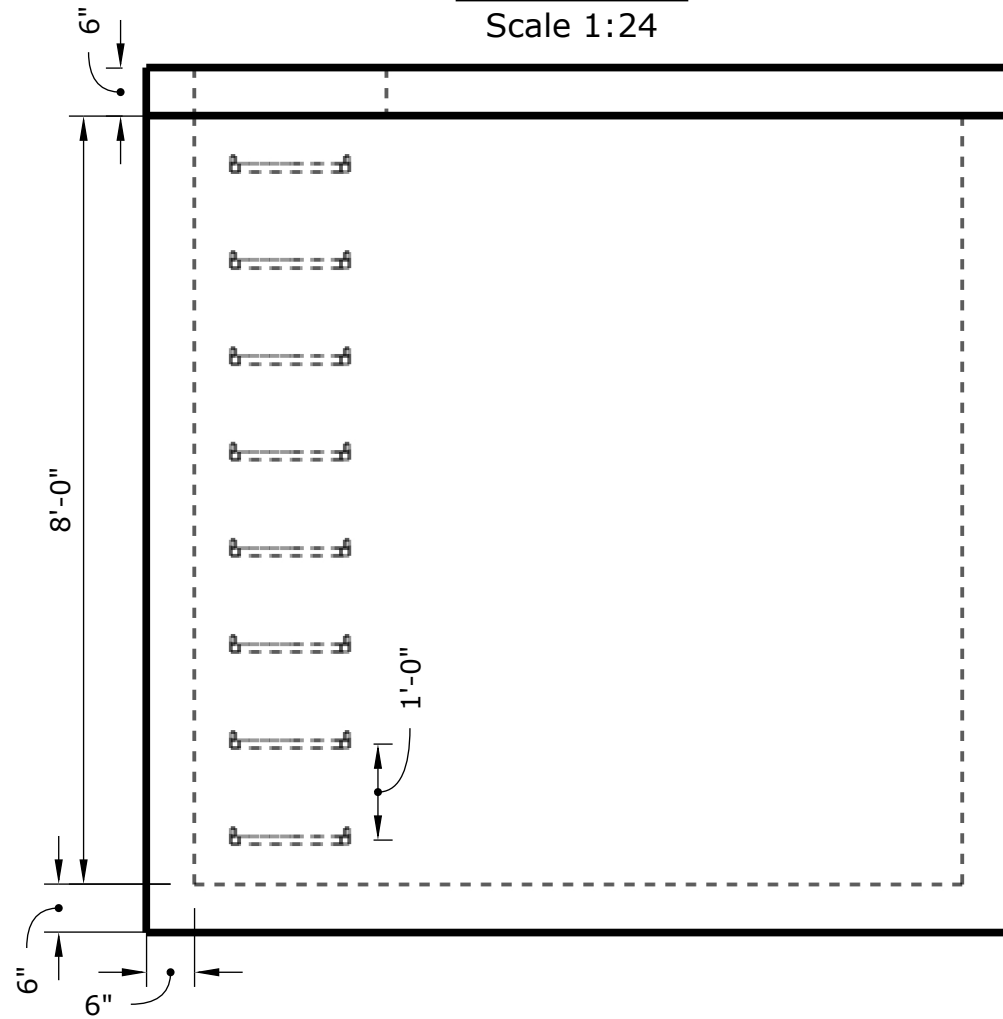


M-7088-6

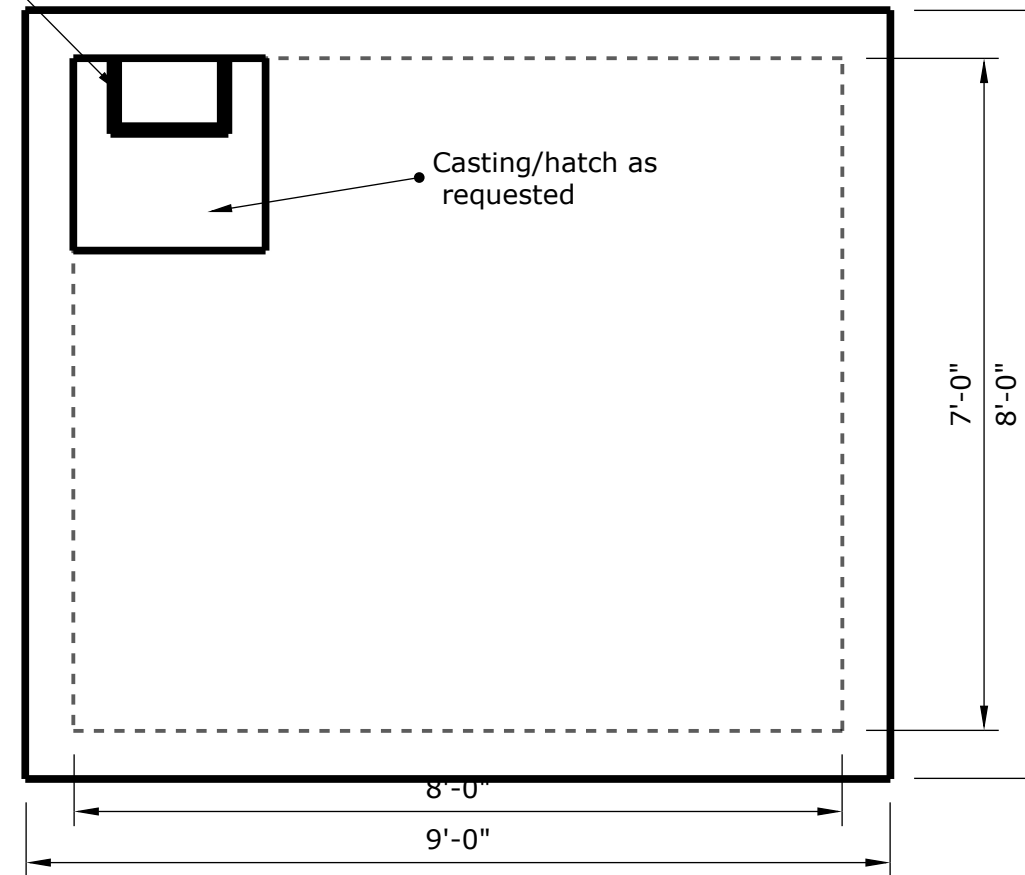


M-1 Tanks Precast
13058 N Frontage Rd E
Moses Lake Wa
98837
509-766-2914

SIDE VIEW
Scale 1:24



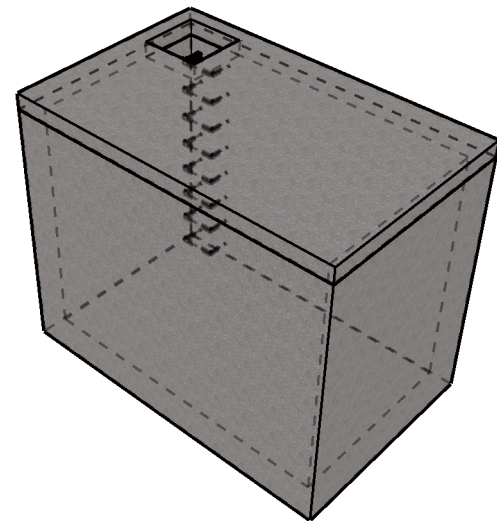
Ladder



TOP VIEW
Scale 1:24

Notes:

- Vault built to meet or exceed ASTM standards
- Knockouts available upon request
- Concrete Strength - 5000 PSI minimum at 28 day



Weight:
Base: 24,280 lbs
Lid: 5,040 lbs