

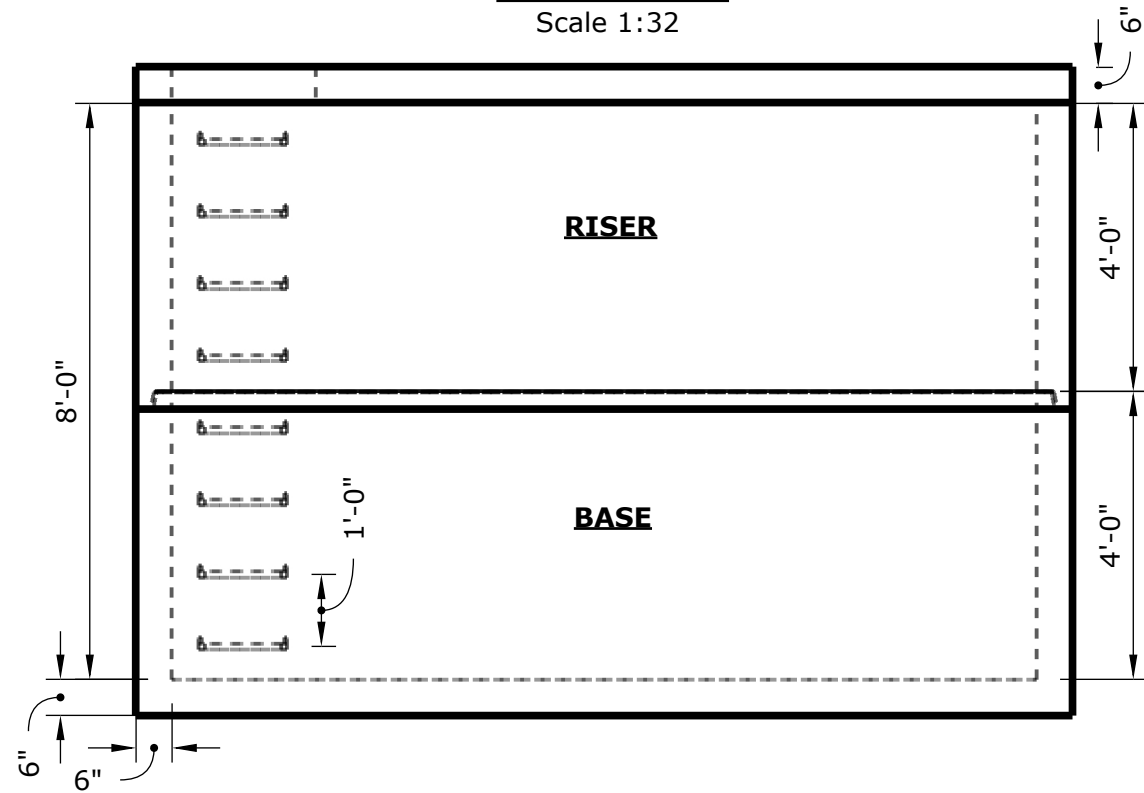
M-7128-6



M-1 Tanks Precast
13058 N Frontage Rd E
Moses Lake Wa
98837
509-766-2914

SIDE VIEW

Scale 1:32

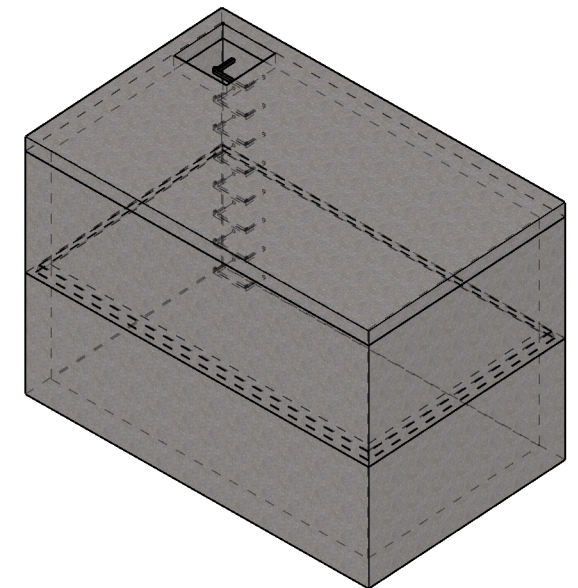


Weight

Base 19,160 lbs
Riser 12,280 lbs
Lid 7,400 lbs

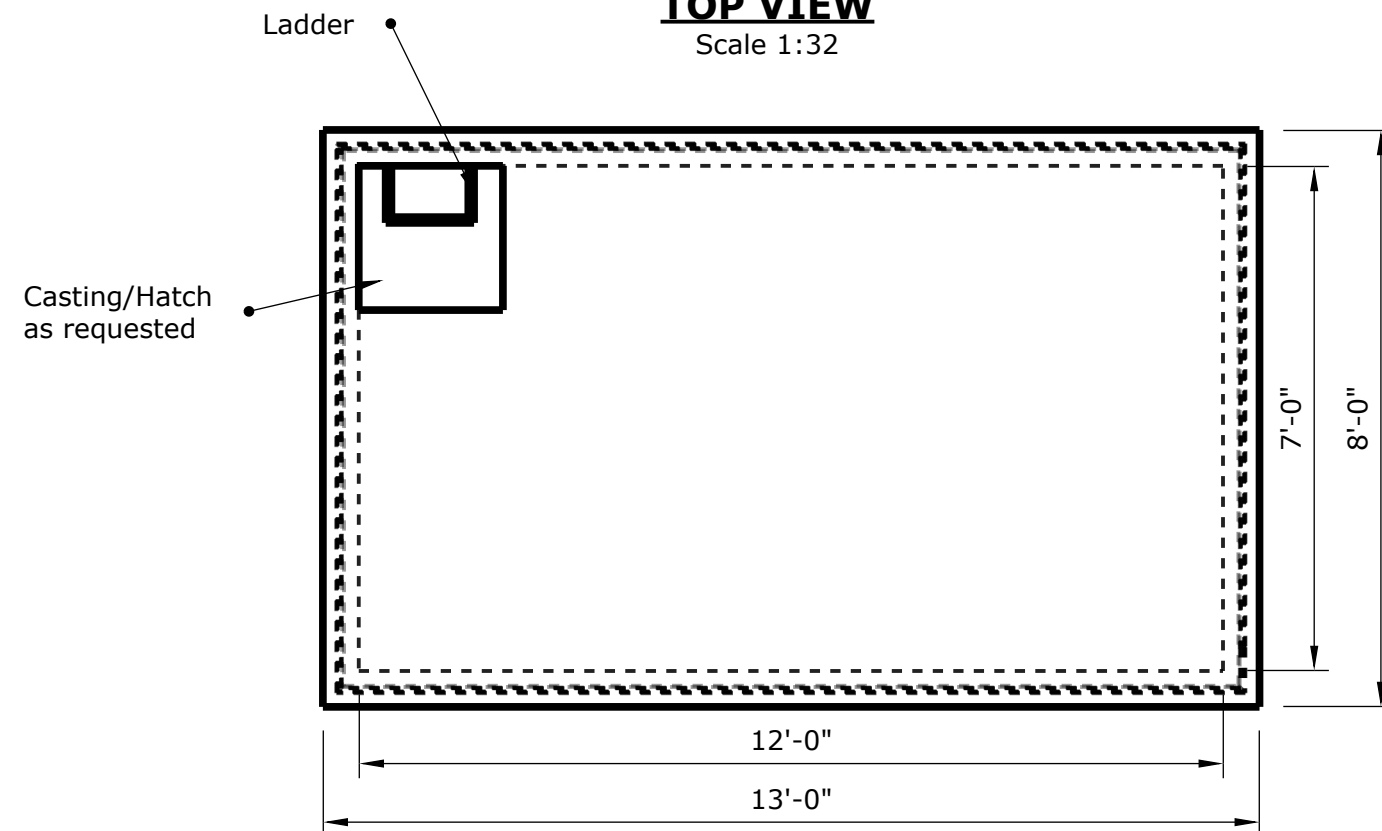
Notes:

- Vault built to meet or exceed ASTM standards
- Knockouts available upon request
- Concrete Strength - 5000 PSI minimum at 28 day



TOP VIEW

Scale 1:32



Pallet and Header Joint Detail

