

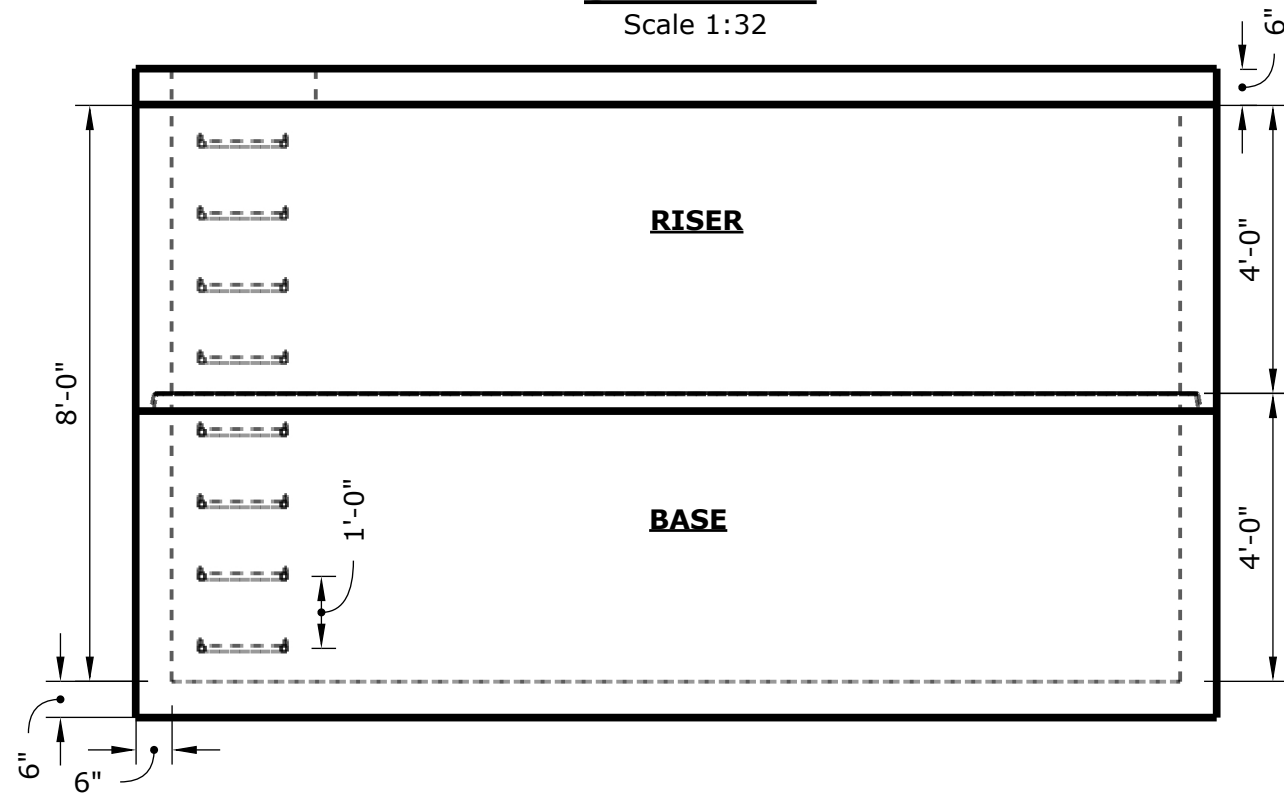
M-7148-6



M-1 Tanks Precast
13058 N Frontage Rd E
Moses Lake Wa
98837
509-766-2914

SIDE VIEW

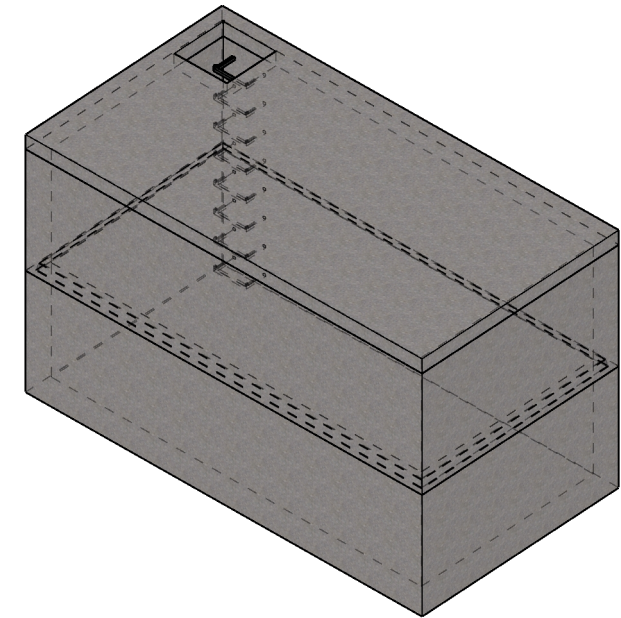
Scale 1:32



Weight
Lid: 8,600 lbs
Riser: 13,440 lbs
Base: 21,480 lbs
Total: 43,520 lbs

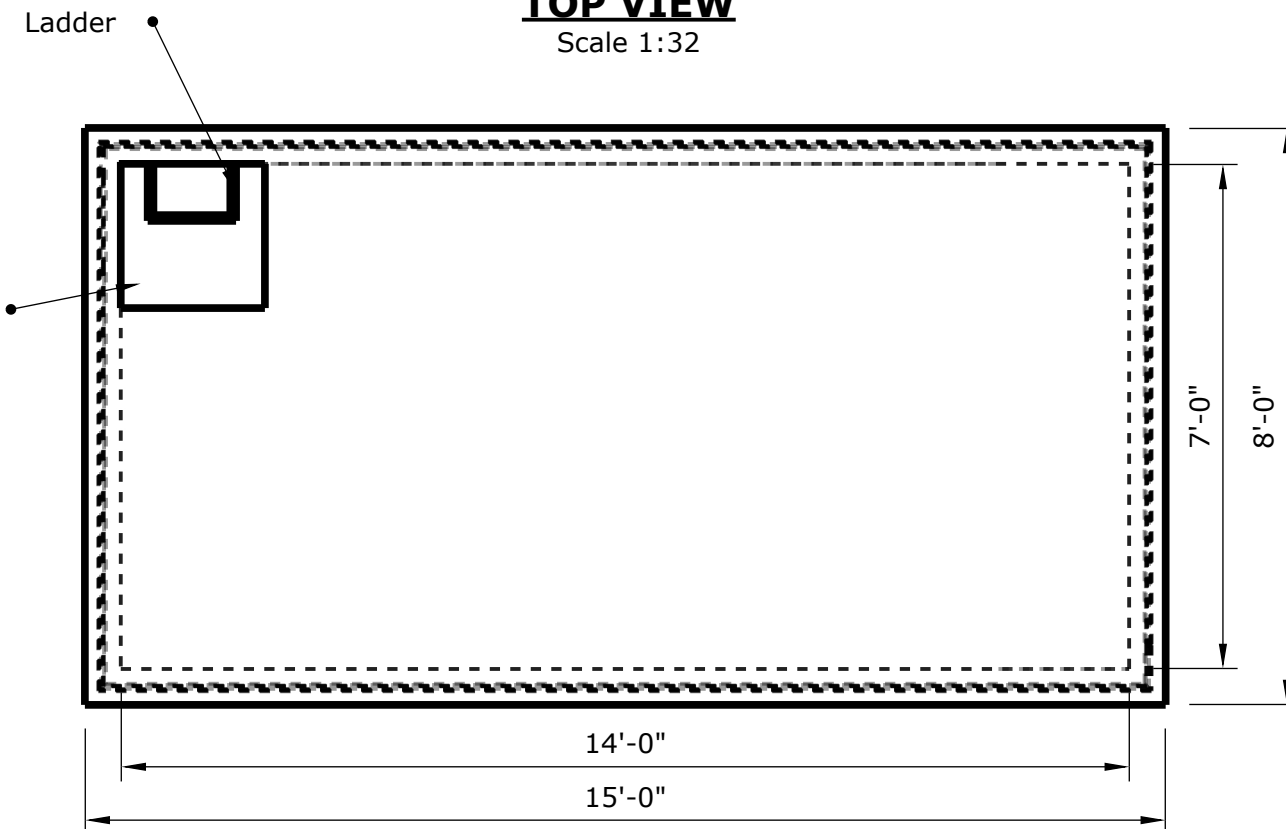
Notes:

- Vault built to meet or exceed ASTM standards
- Knockouts available upon request
- Concrete Strength - 5000 PSI minimum at 28 day

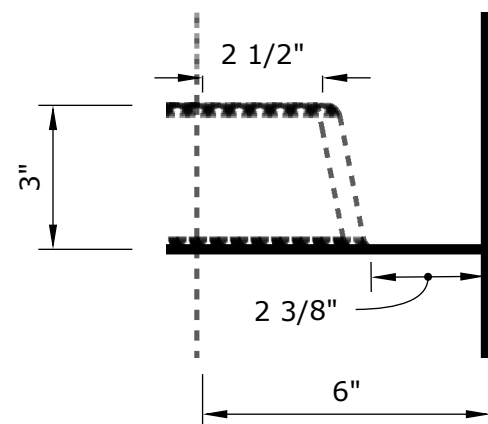


TOP VIEW

Scale 1:32



Pallet and Header Joint Detail



Casting/Hatch as requested