

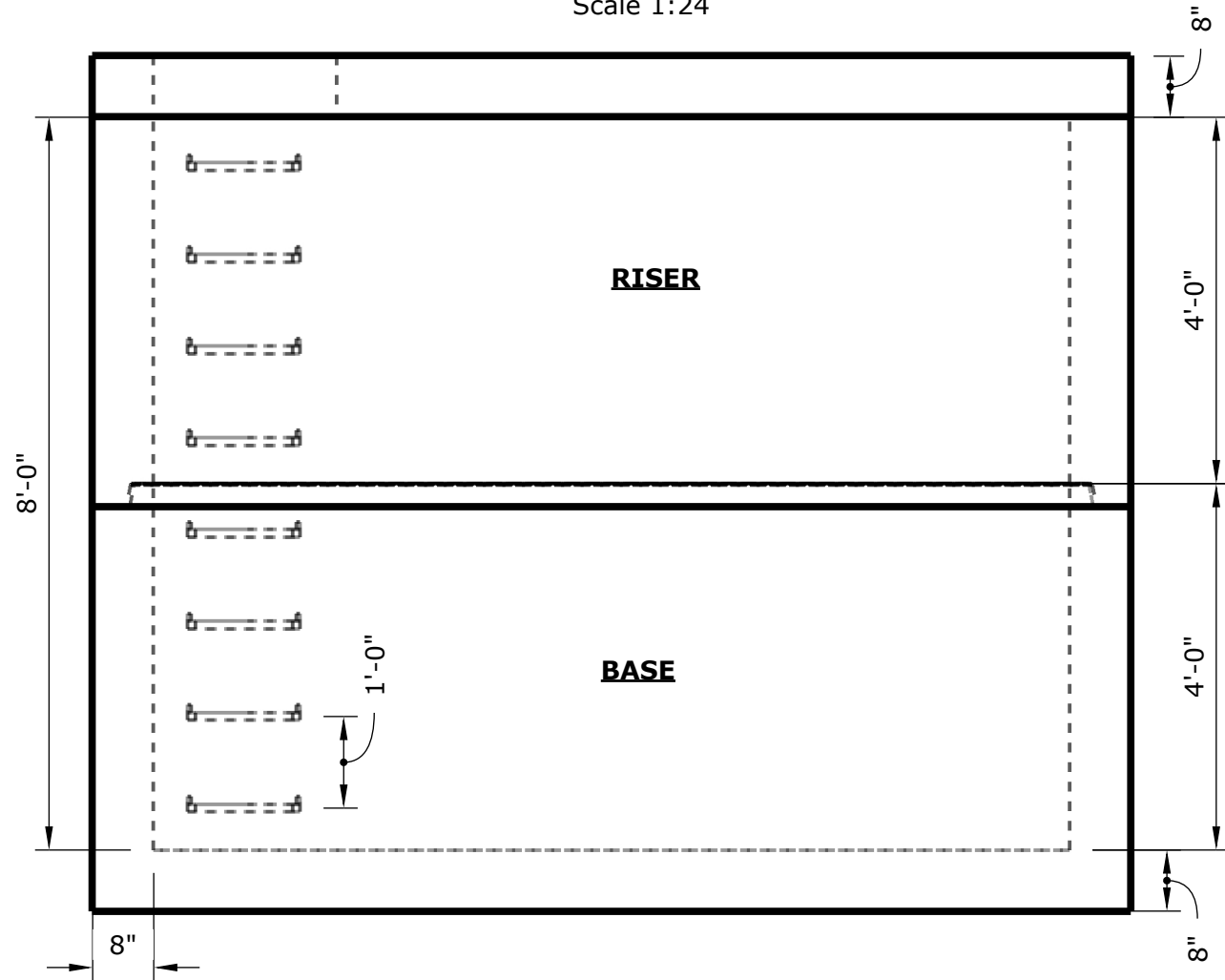
# M-8108-8



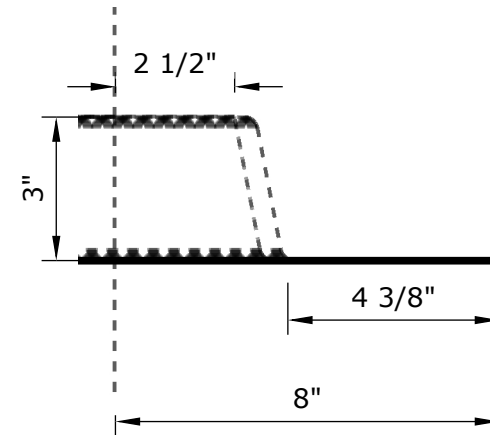
M-1 Tanks Precast  
13058 N Frontage Rd E  
Moses Lake Wa  
98837  
509-766-2914

## SIDE VIEW

Scale 1:24



## Pallet and Header Joint Detail



## Notes:

- Vault built to meet or exceed ASTM standards
- Knockouts available upon request
- Concrete Strength - 5000 PSI minimum at 28 day

## Weight

Lid: 10,040 lbs  
Riser: 15,880 lbs  
Base: 25,080 lbs  
**Total: 51,000 lbs**

## TOP VIEW

Scale 1:24

