

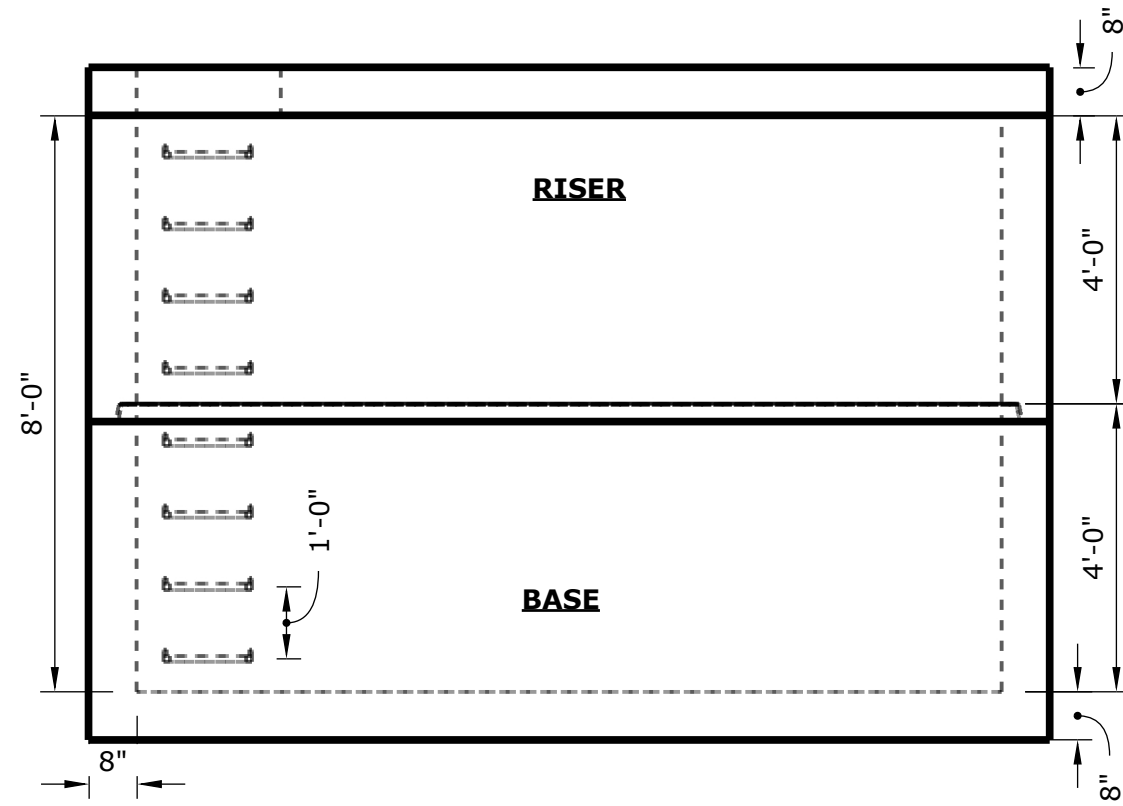
M-8128-8



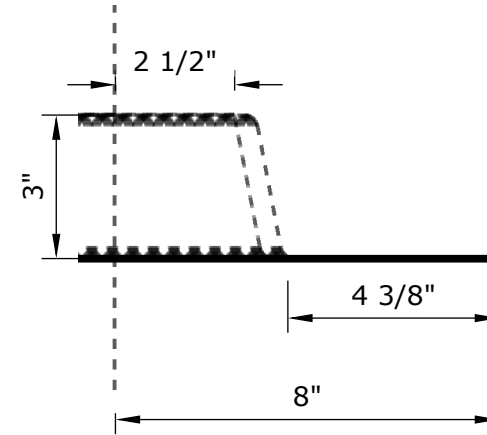
M-1 Tanks Precast
 13058 N Frontage Rd E
 Moses Lake Wa
 98837
 509-766-2914

SIDE VIEW

Scale 1:32



Pallet and Header Joint Detail



Notes:

- Vault built to meet or exceed ASTM standards
- Knockouts available upon request
- Concrete Strength - 5000 PSI minimum at 28 day

Weight

Lid: 11,880 lbs
 Riser: 17,520 lbs
 Base: 28,440 lbs
Total: 57,840 lbs

TOP VIEW

Scale 1:32

